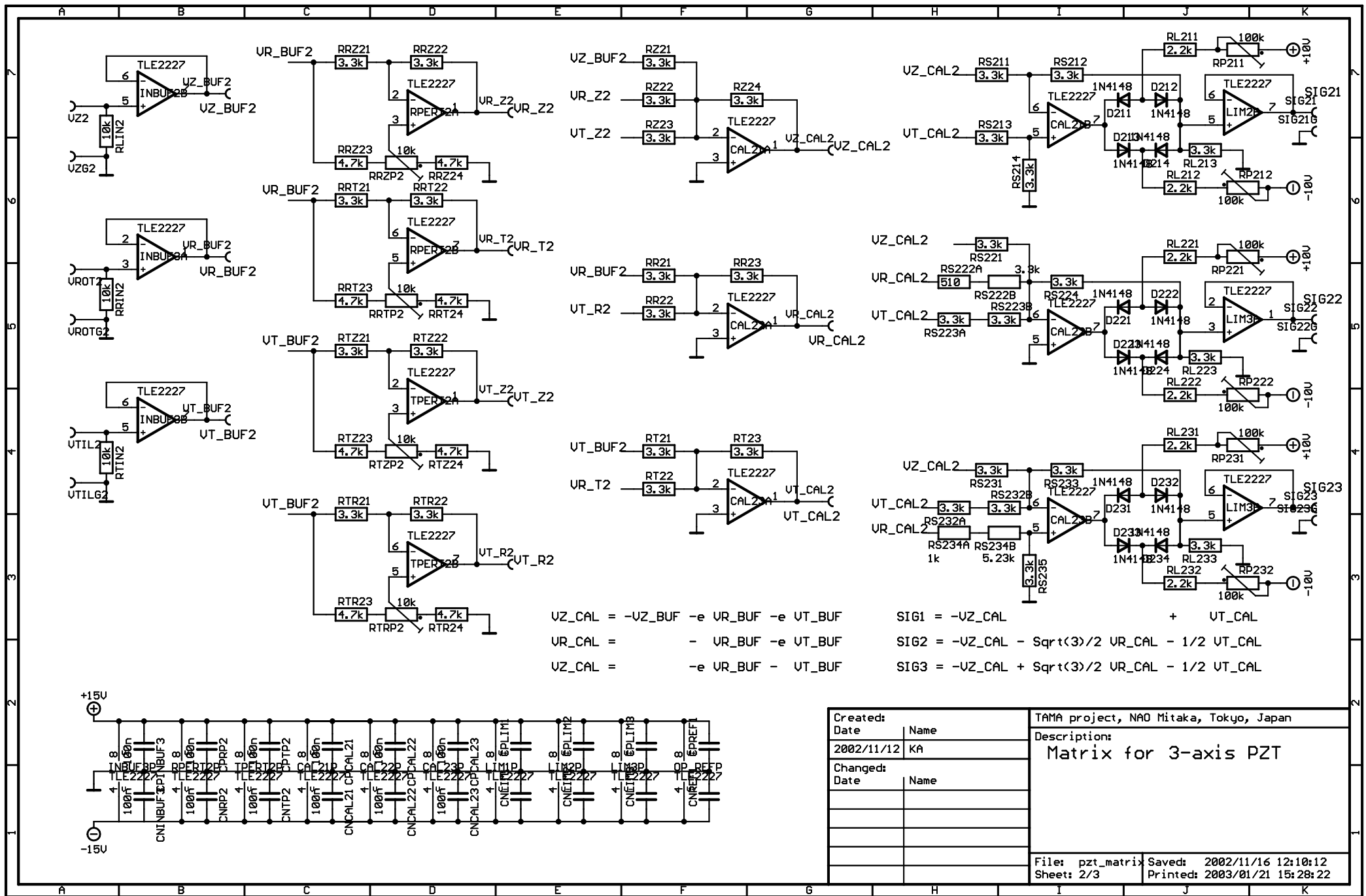
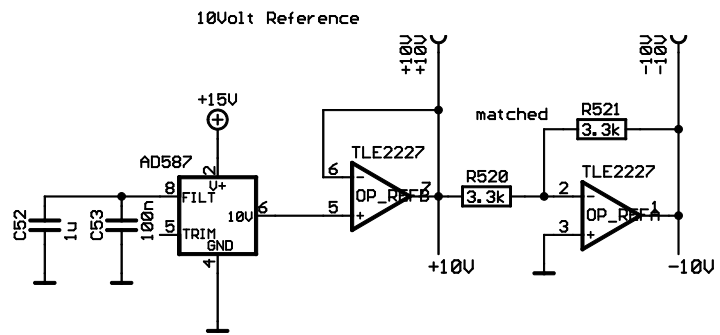


$$\begin{aligned}
 VZ_CAL &= -VZ_BUF - e UR_BUF - e UT_BUF \\
 UR_CAL &= \quad \quad - UR_BUF - e UT_BUF \\
 VZ_CAL &= \quad \quad - e UR_BUF - UT_BUF
 \end{aligned}$$

$$\begin{aligned}
 SIG1 &= -VZ_CAL \quad \quad \quad + \quad UT_CAL \\
 SIG2 &= -VZ_CAL - \text{Sqrt}(3)/2 UR_CAL - 1/2 UT_CAL \\
 SIG3 &= -VZ_CAL + \text{Sqrt}(3)/2 UR_CAL - 1/2 UT_CAL
 \end{aligned}$$

Created:		TAMA project, NAO Mitaka, Tokyo, Japan	
Date	Name	Description:	
2002/11/12	KA	Matrix for 3-axis PZT	
Changed:			
Date	Name		
		File: pzt_matrix	Saved: 2002/11/16 12:10:12
		Sheet: 1/3	Printed: 2003/01/21 15:28:50





Created:		TAMA project, NAO Mitaka, Tokyo, Japan	
Date	Name	Description: Matrix for 3-axis PZT	
2002/11/12	KA		
Changed:			
Date	Name		
File: pzt_matrix		Saved: 2002/11/16 12:10:12	
Sheet: 3/3		Printed: 2003/01/21 15:28:40	