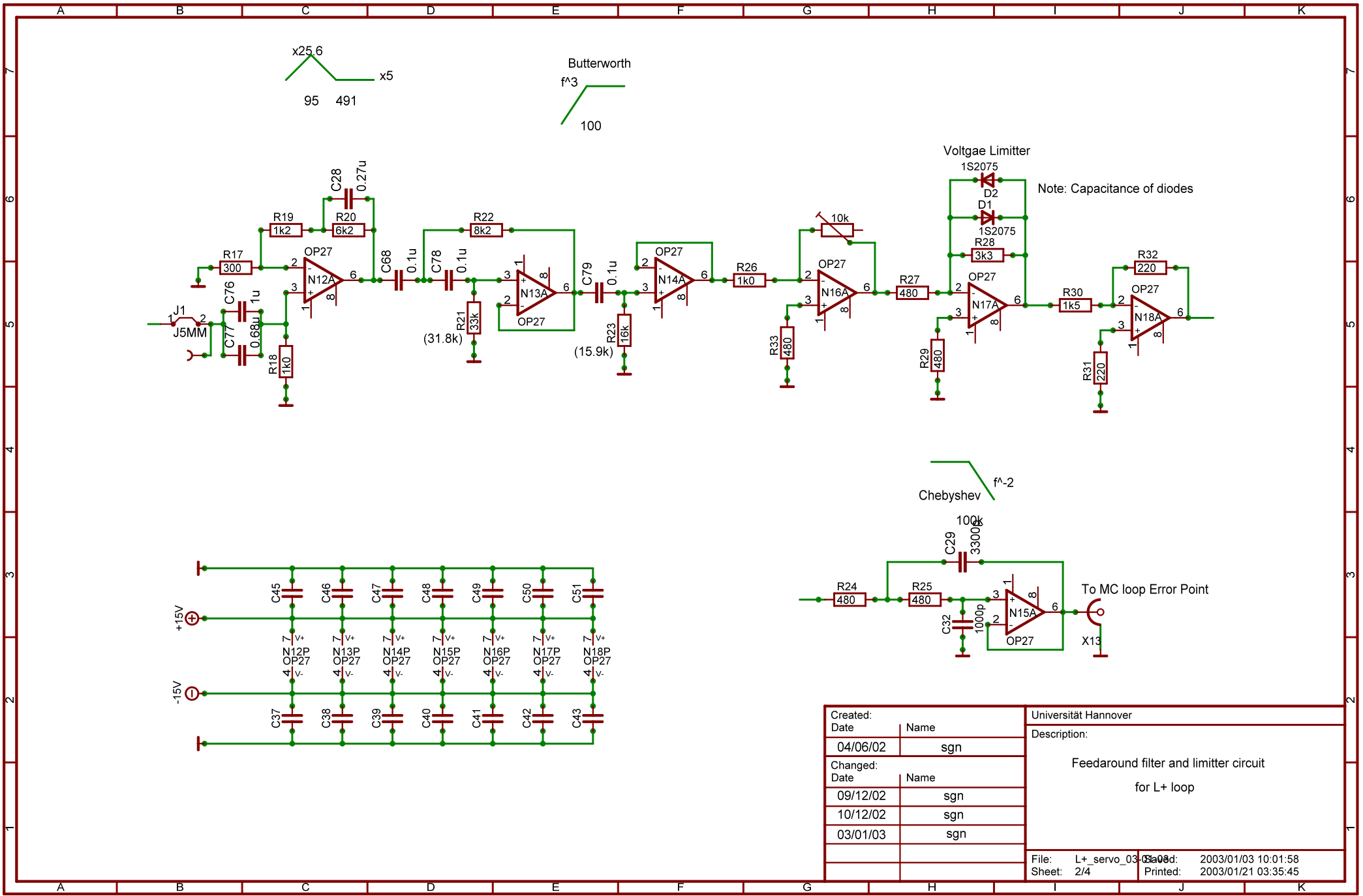
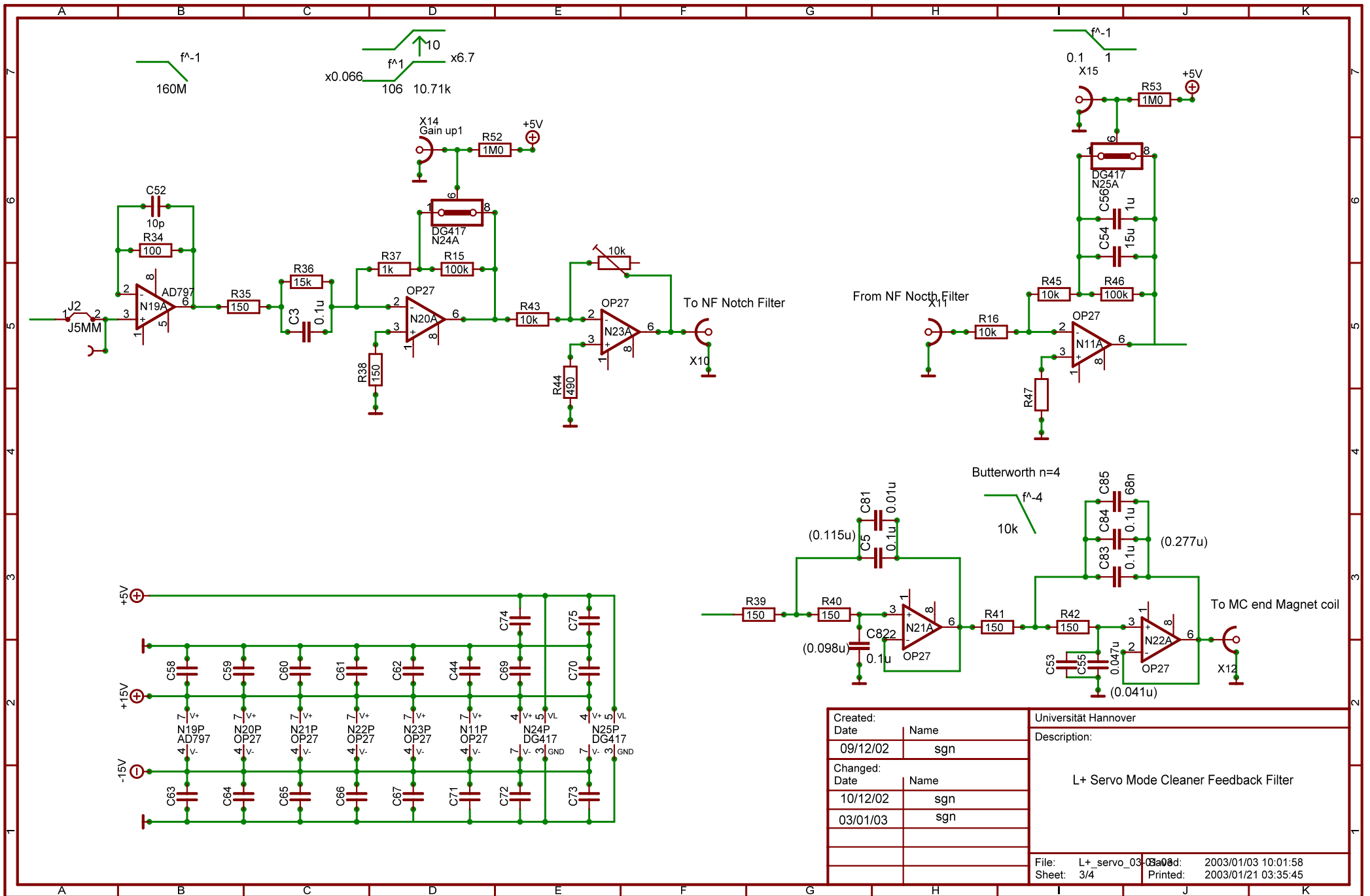


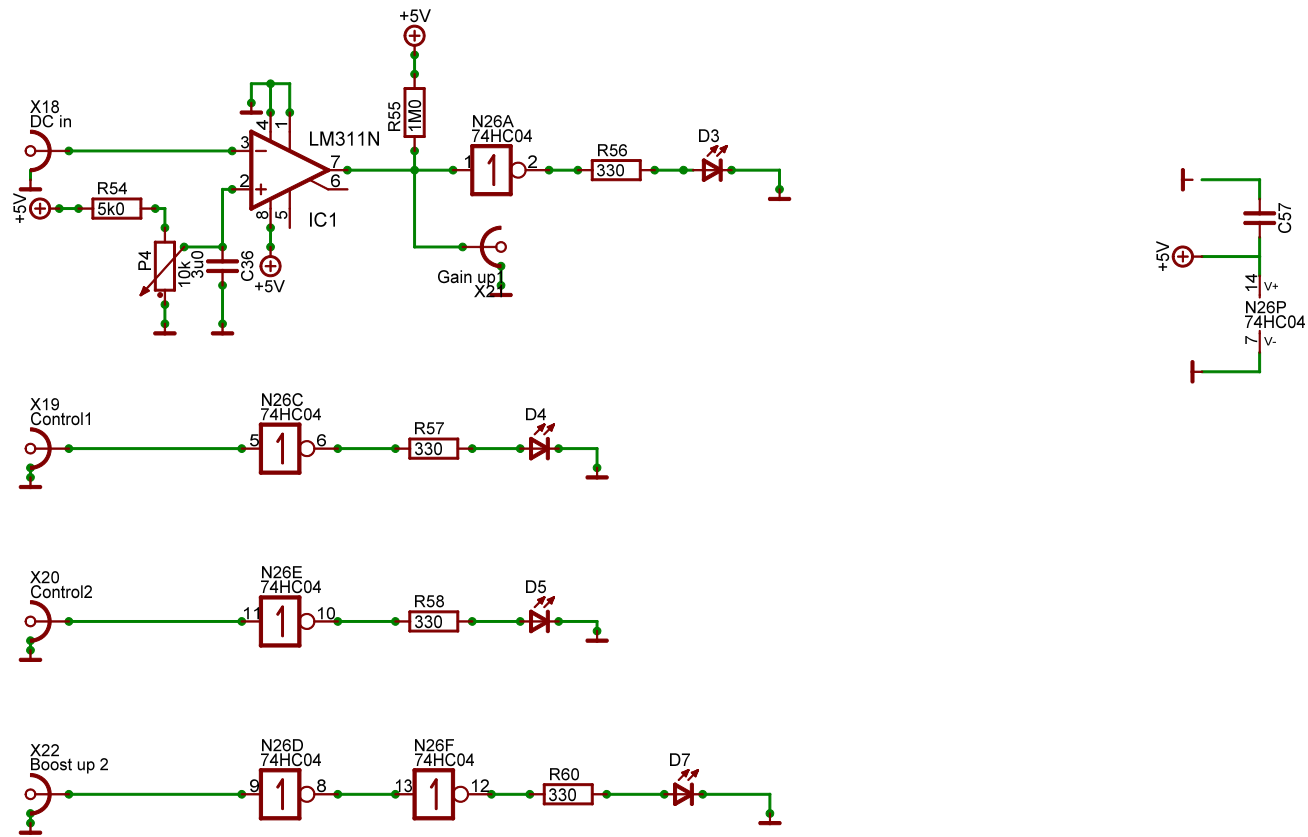
Created:		Universität Hannover	
Date	Name	Description:	
09/12/02	sgn	L+ Servo Modified and Simplified Version	
Changed:			
Date	Name		
File:	L+_servo_03-01-03.sch	Created:	2003/01/03 10:01:58
Sheet:	1/4	Printed:	2003/01/21 03:35:45



Created:		Universität Hannover	
Date	Name	Description:	
04/06/02	sgn	Feedaround filter and limiter circuit for L+ loop	
Changed:	Name		
Date	Name		
09/12/02	sgn		
10/12/02	sgn	File: L+_servo_03-01-03.sch	Created: 2003/01/03 10:01:58
03/01/03	sgn	Sheet: 2/4	Printed: 2003/01/21 03:35:45



Created:		Universität Hannover	
Date	Name	Description:	
09/12/02	sgn	L+ Servo Mode Cleaner Feedback Filter	
Changed:			
Date	Name		
10/12/02	sgn	File:	L+_servo_03-01-03
03/01/03	sgn	Sheet:	3/4
		Created:	2003/01/03 10:01:58
		Printed:	2003/01/21 03:35:45



Created:		Universität Hannover
Date	Name	Description:
03/01/03	sgn	Threshold Circuit and Indicator Controller
Changed:		
Date	Name	
File:	L+_servo_03-01-03.sch	Created: 2003/01/03 10:01:58
Sheet:	4/4	Printed: 2003/01/21 03:35:45