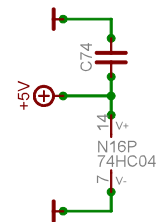
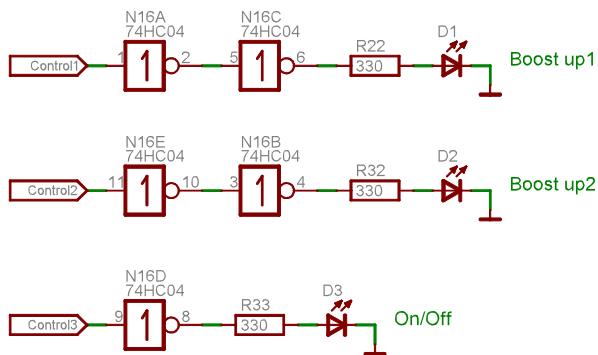


Created:		Universität Hannover	
Date	Name	Description:	
29/01/03	sgn	Servo circuit for	
Changed:		Differential length (L-) control loop	
Date	Name	Designed by M.Ando	
08/02/03	sgn	File: L_servo_v3_08save08 2003/02/08 17:43:58	
		Sheet: 1/2 Printed: 2003/03/18 22:32:15	



Created:		Universität Hannover	
Date	Name	Description:	
08/02/03	sgn		
Changed:		Indicater circuit	
Date	Name		
File:	L_servo_v3_03-02-08	Save:	2003/02/08 17:43:58
Sheet:	2/2	Printed:	2003/03/18 22:31:29