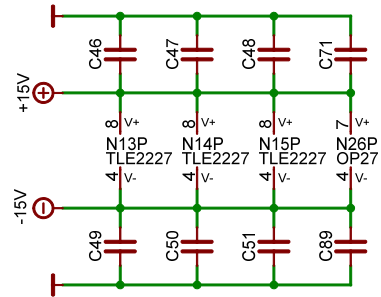
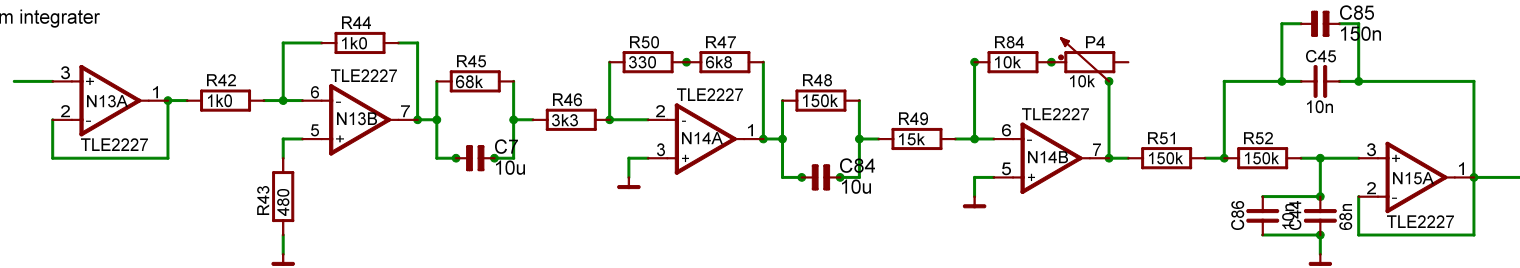


Created:		Universität Hannover	
Date	Name	Description:	
28/08/02	sgn	Mode Cleaner Servo	
Changed:		Total filter & Boost-up filter & Gain-up filter	
Date	Name		

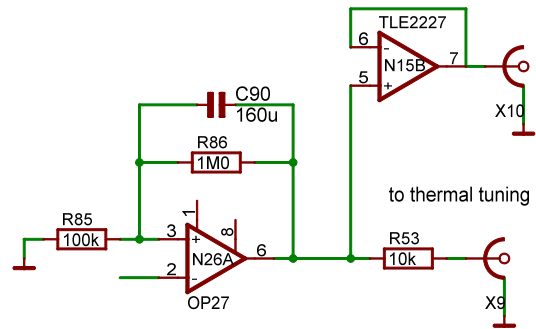
File:	MC_servo_02-09-18	Date:	2002/09/18 07:48:06
Sheet:	1/5	Printed:	2002/10/15 14:36:36



from integrater



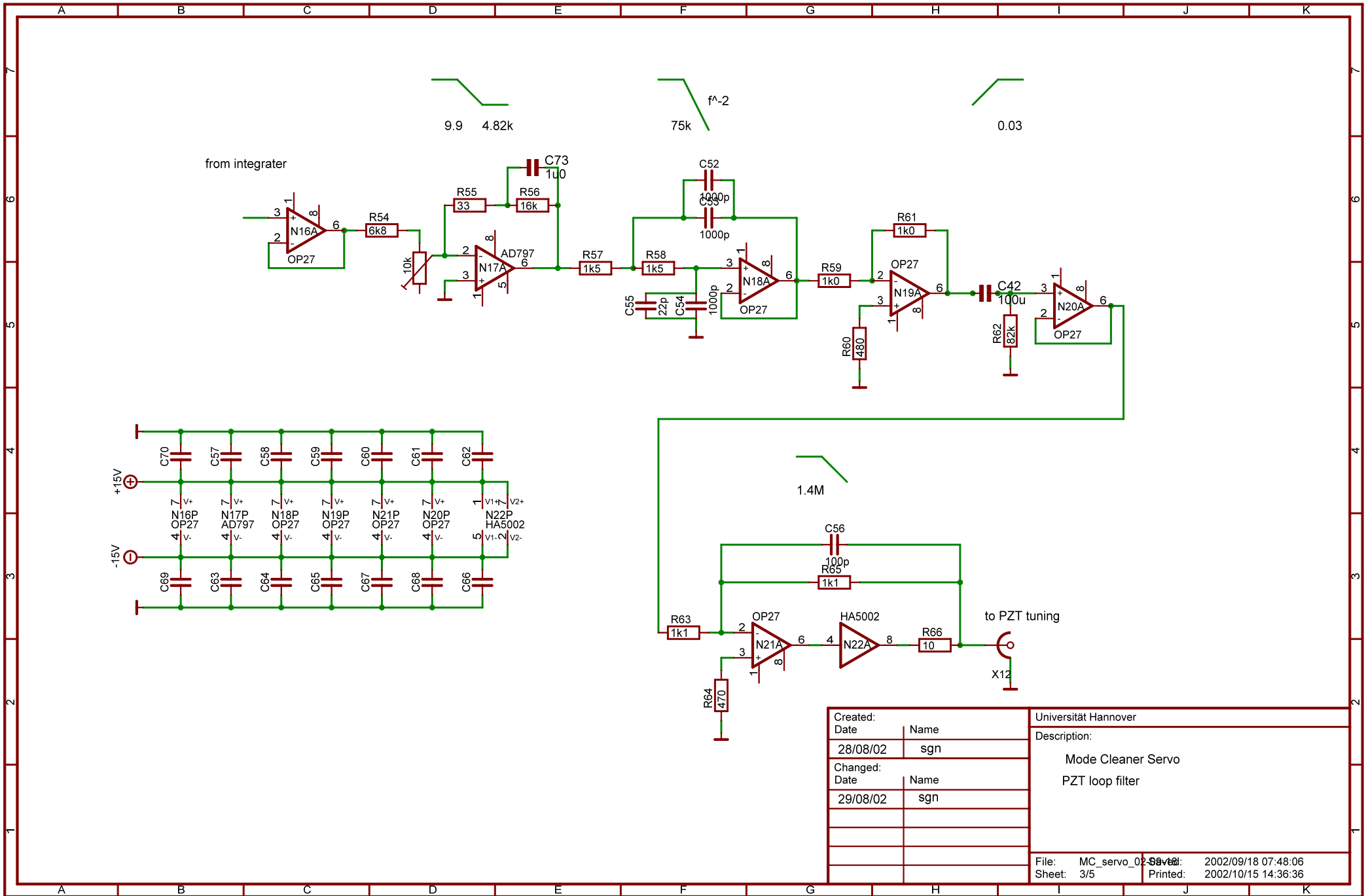
thermal monitor



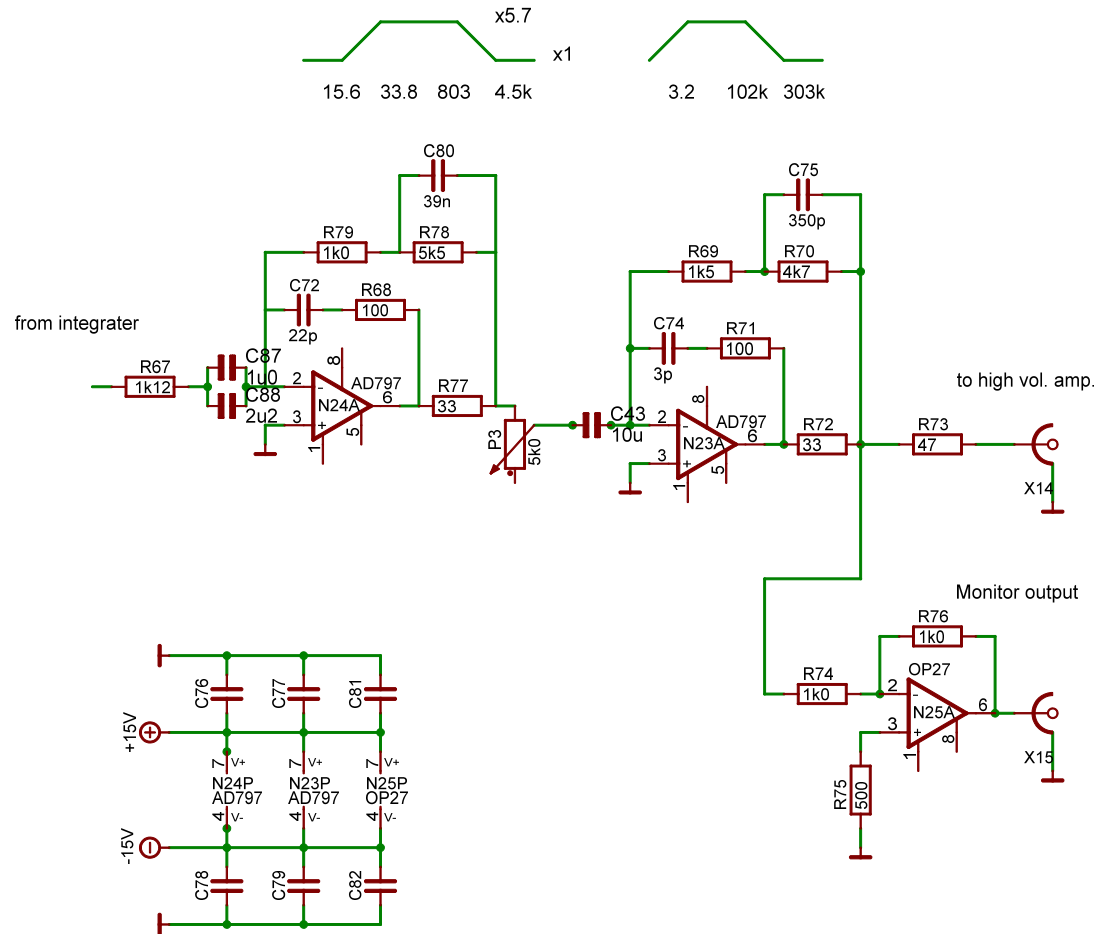
to thermal tuning

f<sup>-1</sup>  
0.99mHz 10.8mHz

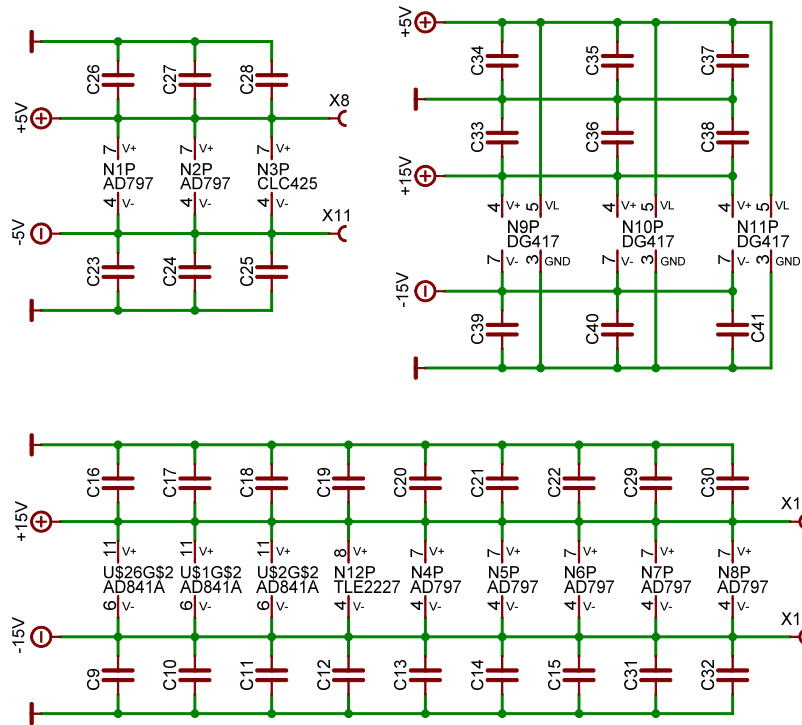
Created:		Universität Hannover	
Date	Name	Description:	
28/08/02	sgn	Mode Cleaner Servo Thermal loop filter	
Changed:			
Date	Name		
29/08/02	sgn		
18/09/02	sgn		
		File:	MC_servo_02-09-18
		Sheet:	2/5
		Printed:	2002/09/18 07:48:06
			2002/10/15 14:36:36



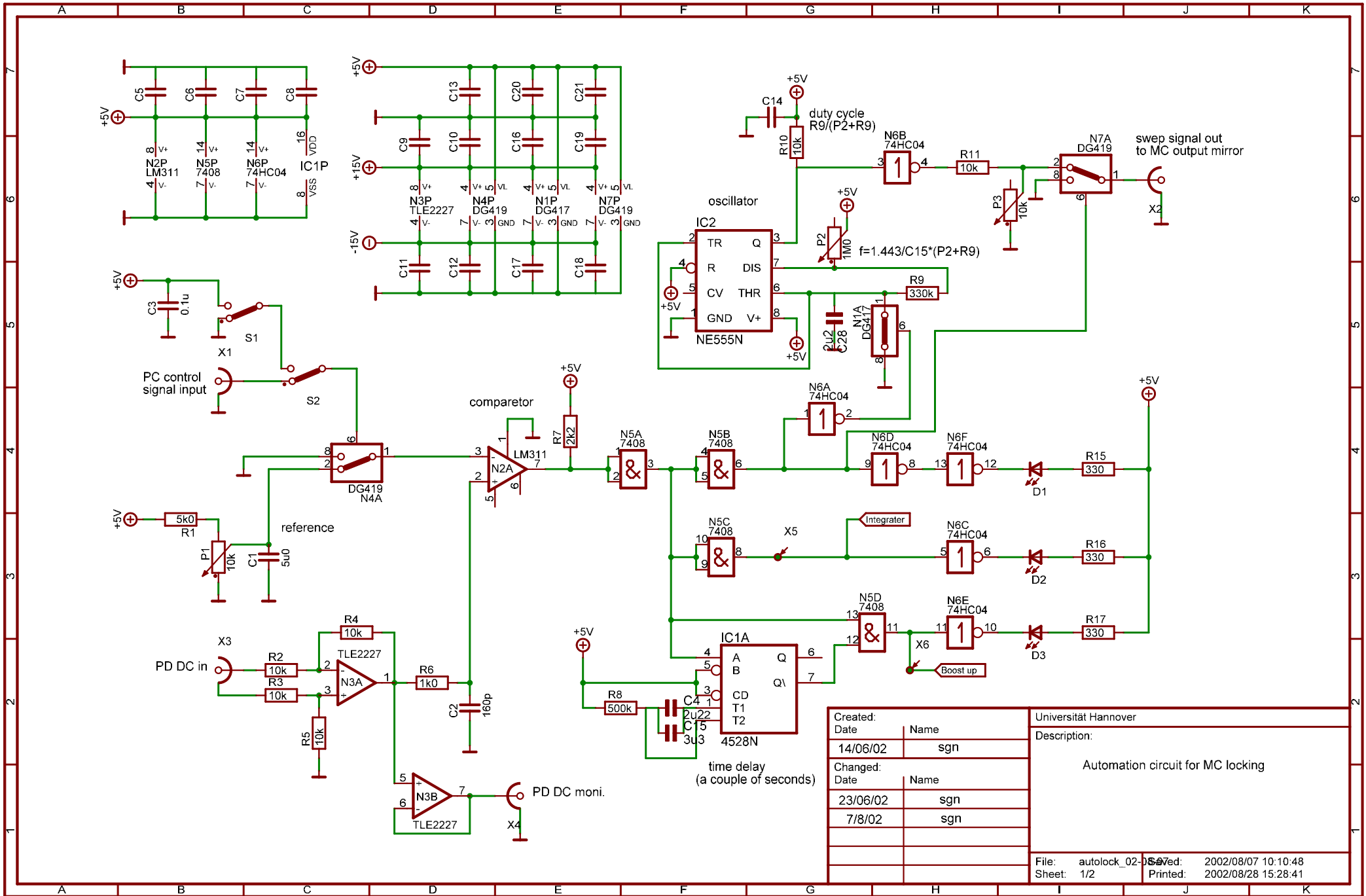
Created:		Universität Hannover	
Date	Name	Description:	
28/08/02	sgn	Mode Cleaner Servo	
Changed:		PZT loop filter	
Date	Name		
29/08/02	sgn		
		File:	MC_servo_02-09-18
		Sheet:	3/5
		Saved:	2002/09/18 07:48:06
		Printed:	2002/10/15 14:36:36



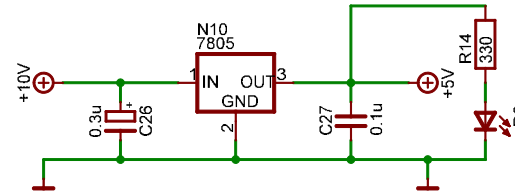
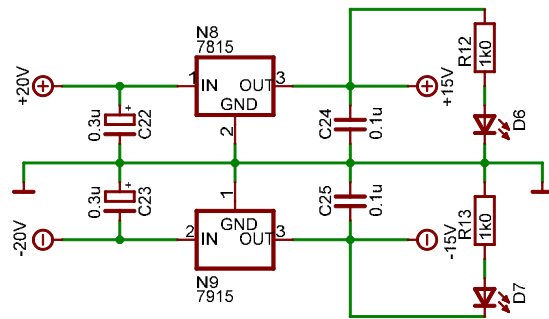
Created:		Universität Hannover	
Date	Name	Description:	
28/08/02	sgn	Mode Cleaner Servo	
Changed:		EOM loop filter	
Date	Name		
		File: MC_servo_02-09-18	Saved: 2002/09/18 07:48:06
		Sheet: 4/5	Printed: 2002/10/15 14:36:36



Created:		Universität Hannover	
Date	Name	Description:	
28/08/02	sgn	Mode Cleaner Servo	
Changed:		Power Supply	
Date	Name		
		File: MC_servo_02-09-18	Saved: 2002/09/18 07:48:06
		Sheet: 5/5	Printed: 2002/10/15 14:36:36



Created:		Name		Universität Hannover	
Date	14/06/02	Name	sgn	Description:	
Changed:		Name		Automation circuit for MC locking	
Date	23/06/02	Name	sgn		
Date	7/8/02	Name	sgn		
File:	autolock_02-08-07	Saved:	2002/08/07 10:10:48		
Sheet:	1/2	Printed:	2002/08/28 15:28:41		



Created:		Universität Hannover	
Date	Name	Description:	
14/06/02	sgn	power supply and filtering for automation circuit	
Changed:			
Date	Name		
		File: autolock_02-08-07	Saved: 2002/08/07 10:10:48
		Sheet: 2/2	Printed: 2002/08/28 15:28:41