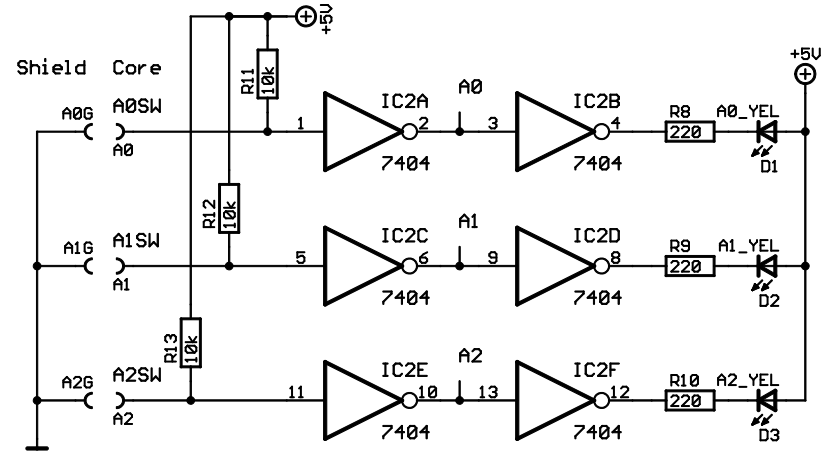
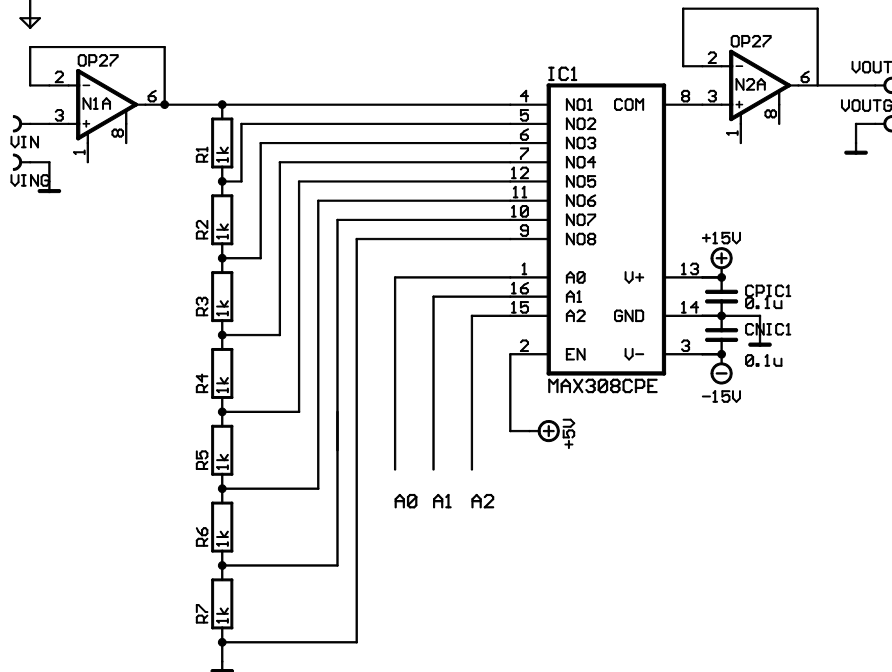
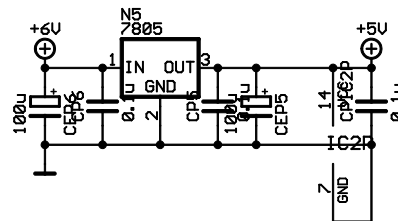
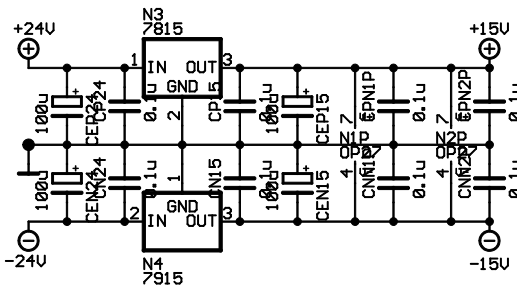


HERE YOU'D BETTER
TO PULL DOWN VIN TO GND
BY 10Kohm REGISTOR



AxSW or V(AxSW) Ax LED
ON L H ON
OFF H L OFF

A2SW	A1SW	A0SW	A2	A1	A0	No	Gain
OPEN	OPEN	OPEN	H	H	H	1	+7/7 = +1
OPEN	OPEN	CLOSE	H	H	L	2	+6/7
OPEN	CLOSE	OPEN	H	L	H	3	+5/7
OPEN	CLOSE	CLOSE	H	L	L	4	+4/7
CLOSE	OPEN	OPEN	L	H	H	5	+3/7
CLOSE	OPEN	CLOSE	L	H	L	6	+2/7
CLOSE	CLOSE	OPEN	L	L	H	7	+1/7
CLOSE	CLOSE	CLOSE	L	L	L	8	+0/7 = +0



Created:		TAMA project, NAO Mitaka, Tokyo, Japan	
Date	Name	Description:	
2002/6/29	KA	8WAY MULTIPLEXER	
Changed:			
Date	Name		
		File: 8way_mux	Saved: 2002/07/17 23:02:32
		Sheet: 1/1	Printed: 2002/07/17 23:05:27