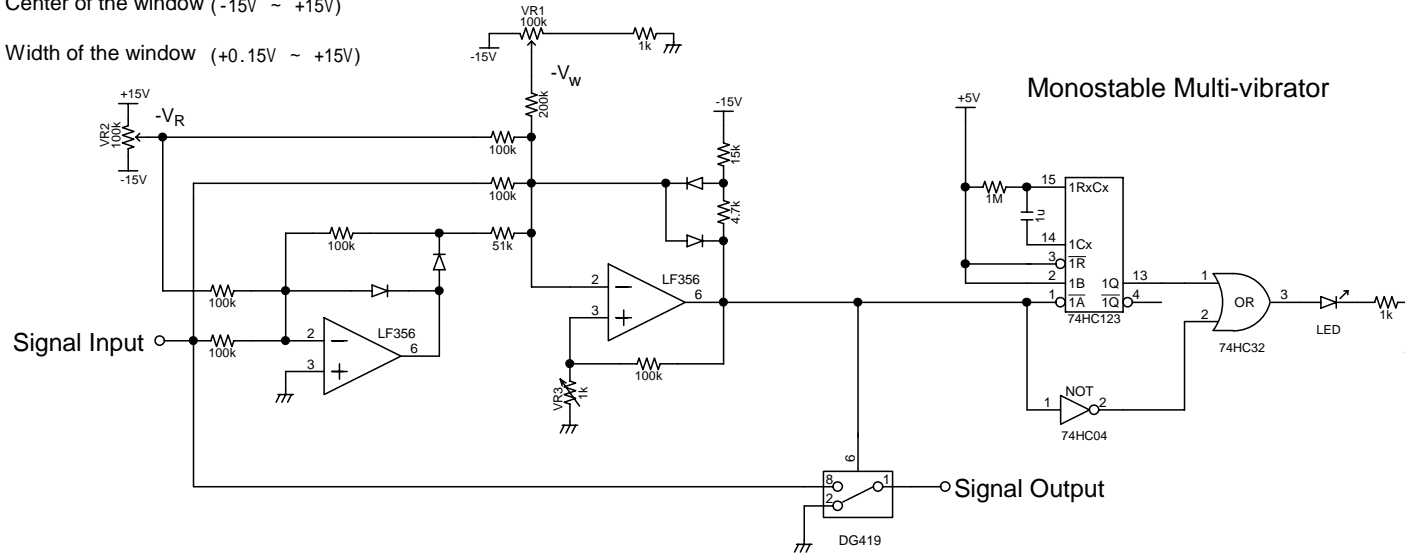


Window Comparator

V_R : Center of the window (-15V ~ +15V)

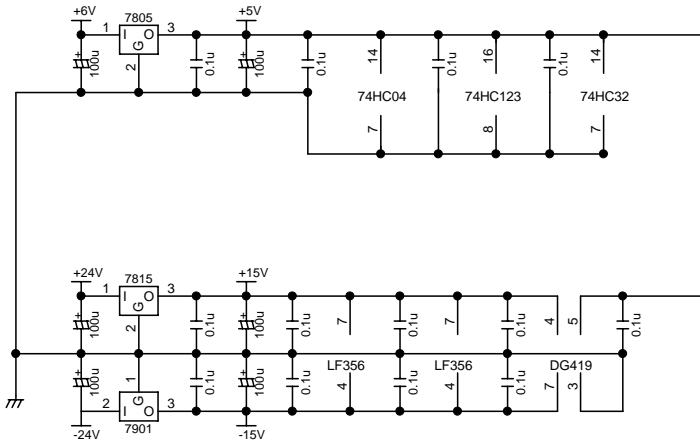
V_W : Width of the window (+0.15V ~ +15V)



Analog Switch

Power Supply

+15V, -15V, +5V



TITLE		DRAWING_No.	
Window Comparator			
SHEET	DATE	DESIGN	
1 / 1	15/08/2001	Koji Arai Yukiyoshi Iida	