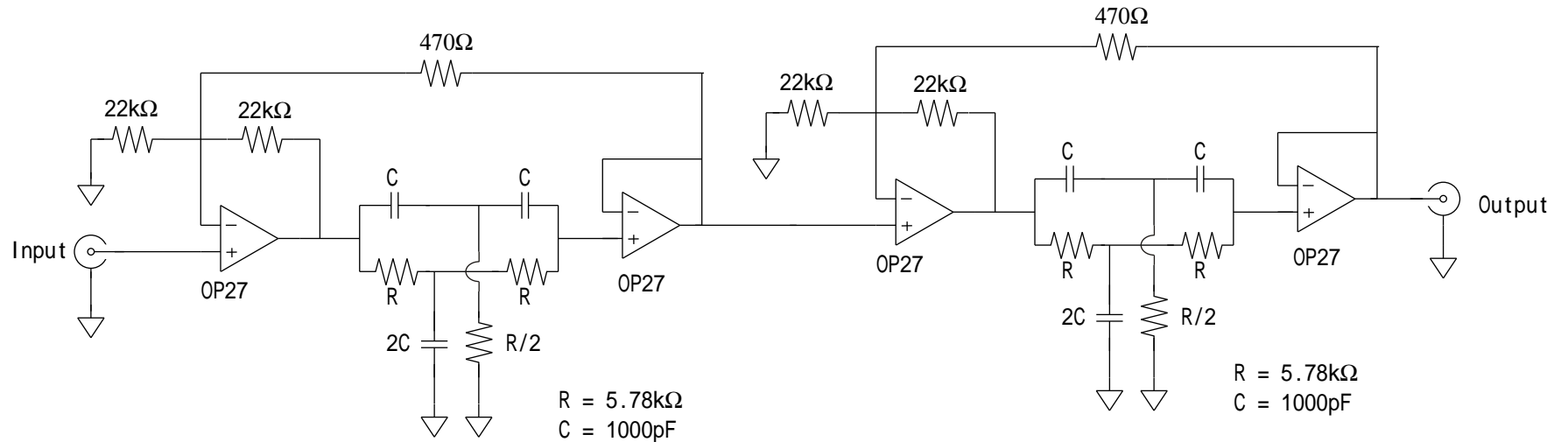


Notch filter

Masaki Ando February 12, 2001
Revised April 01, 2001



Gain = 0.979

Q = 11.9

$f_0 = 27.5\text{kHz}$

Gain = 0.979

Q = 11.9

$f_0 = 27.5\text{kHz}$