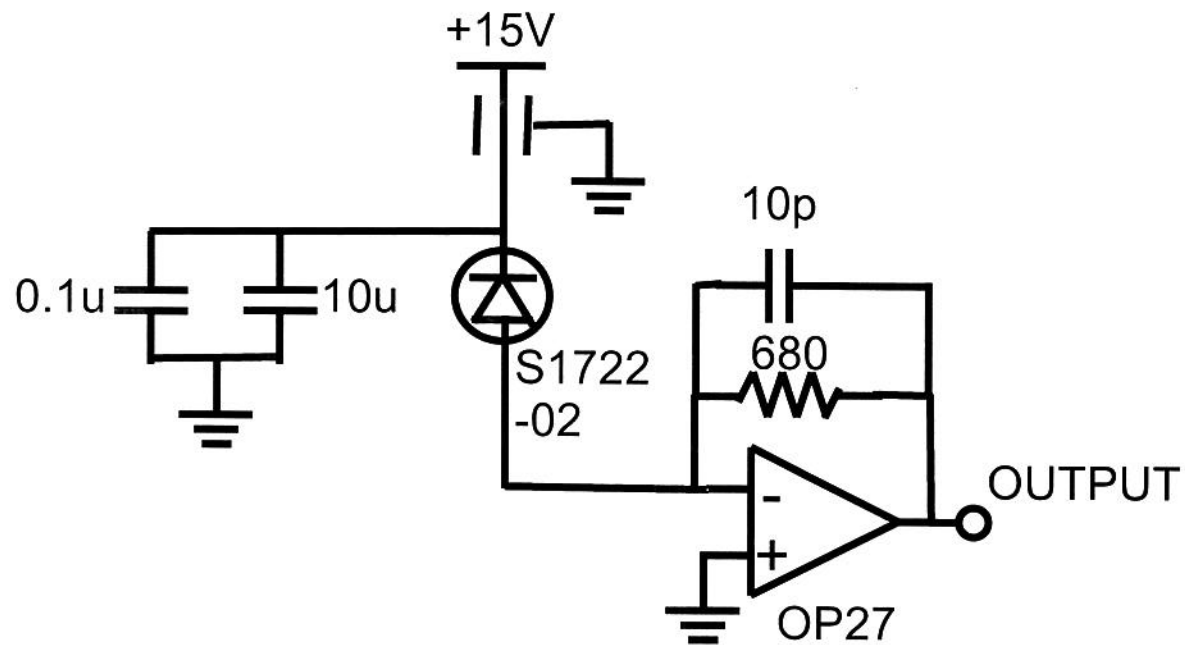


Photo Detector

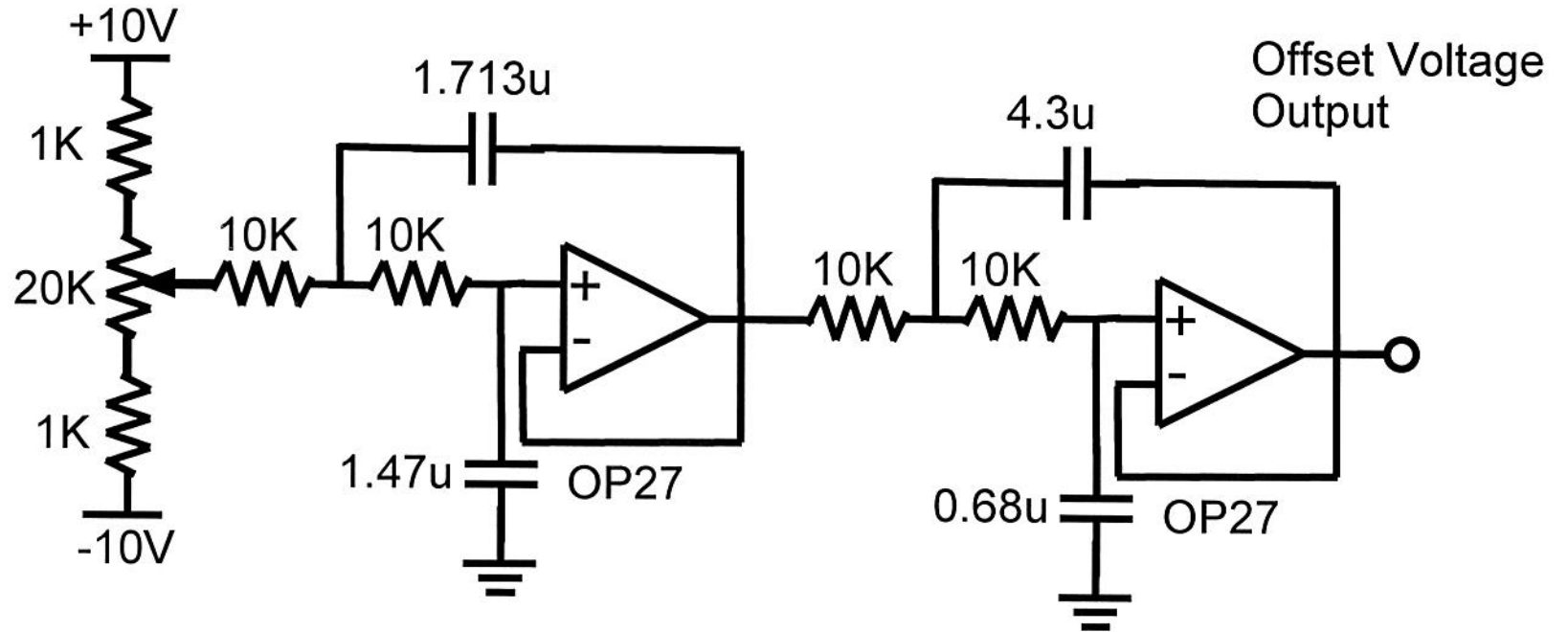
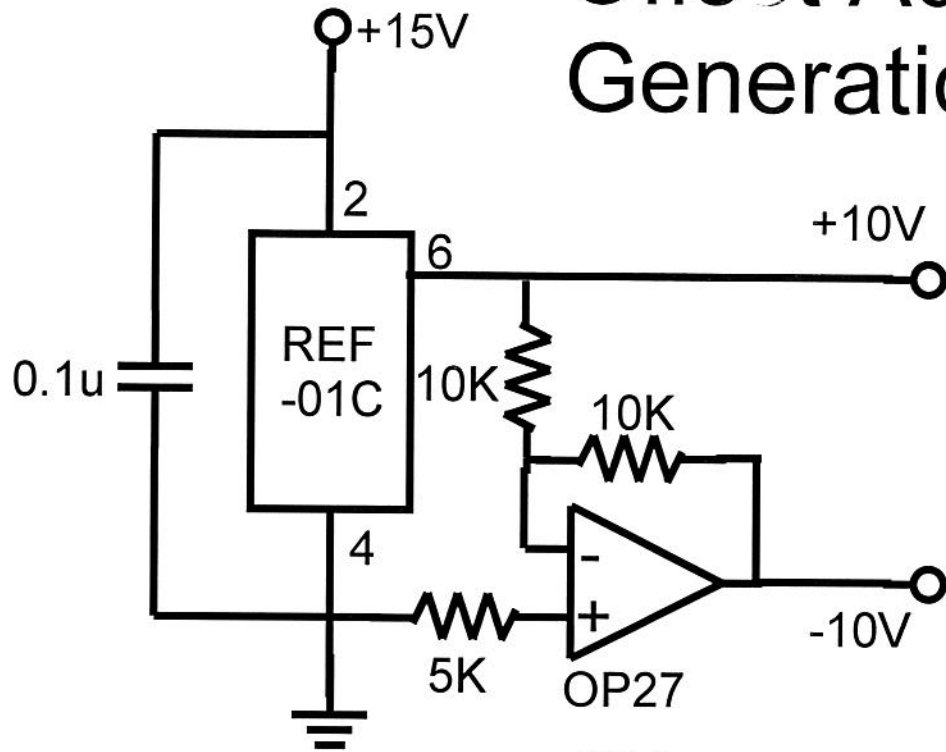
初号機、弐号機



1999-06-07

Shigeo Nagano

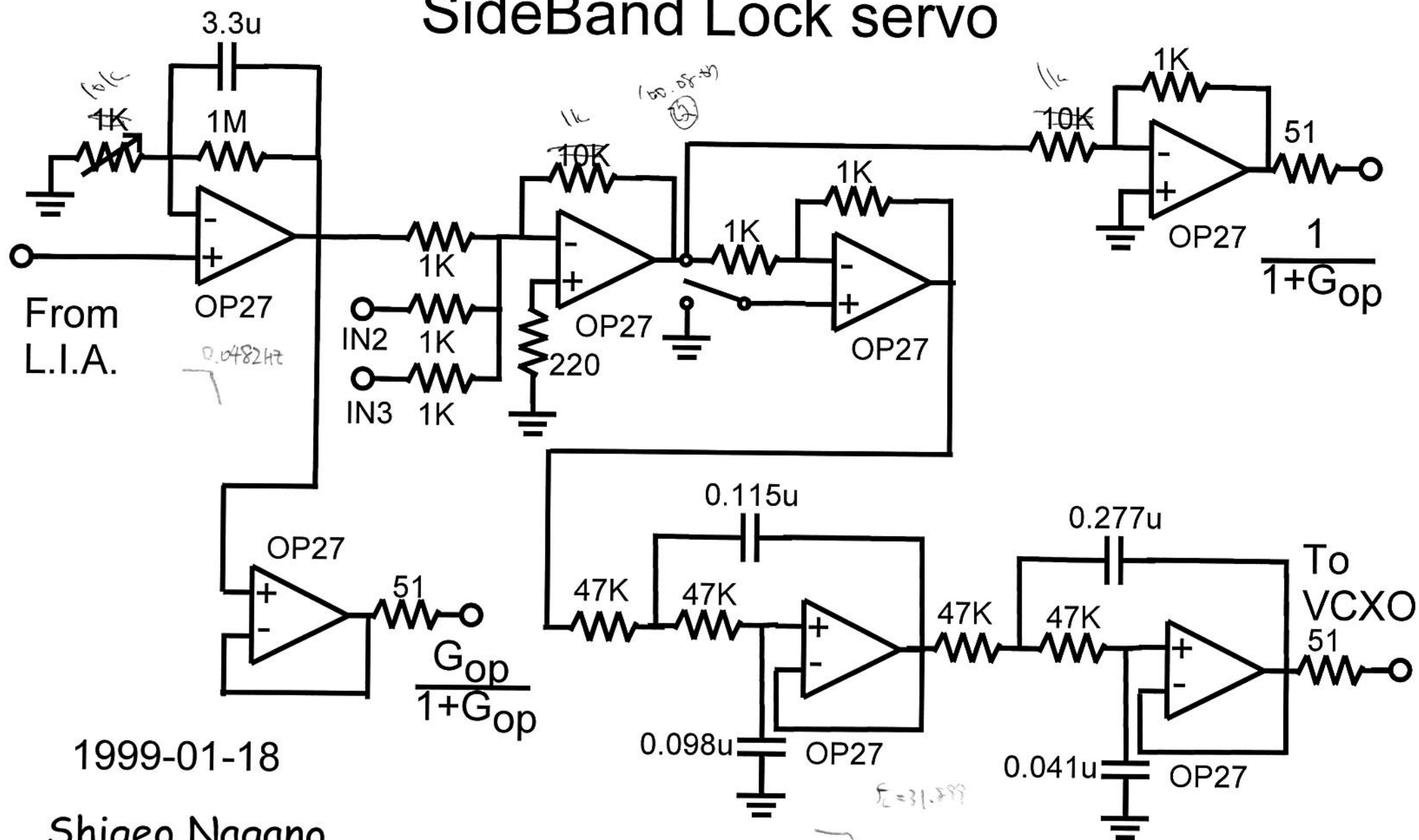
Offset Adjustment Voltage Generation Circuit



1998-12-17

Shigeo Nagano

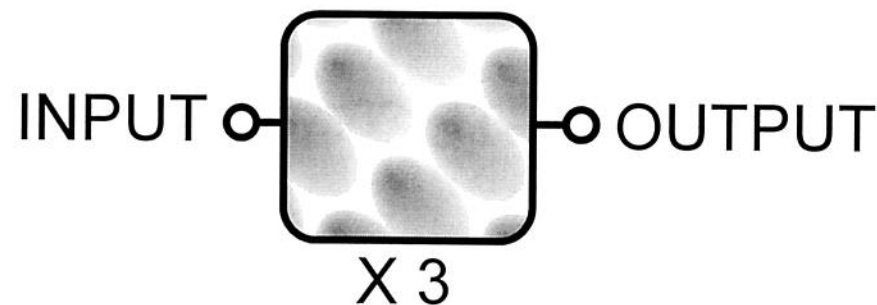
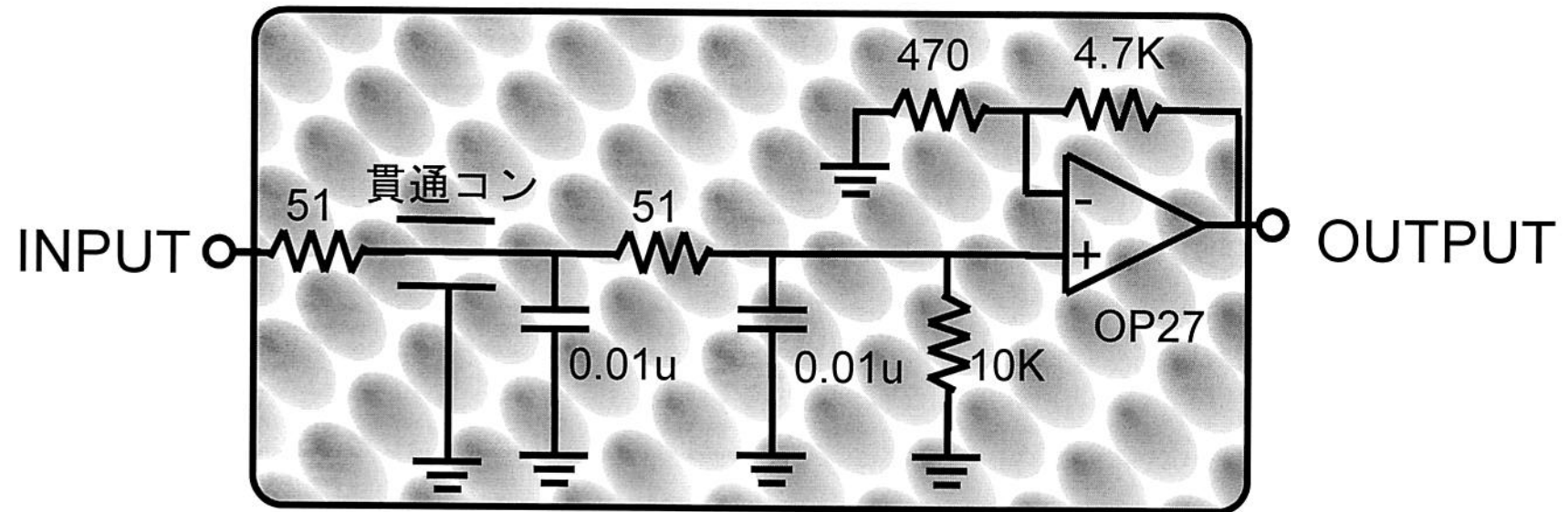
SideBand Lock servo



1999-01-18

Shigeo Nagano

Buffer Amplifier for a demodulated signal of 15.25MHz

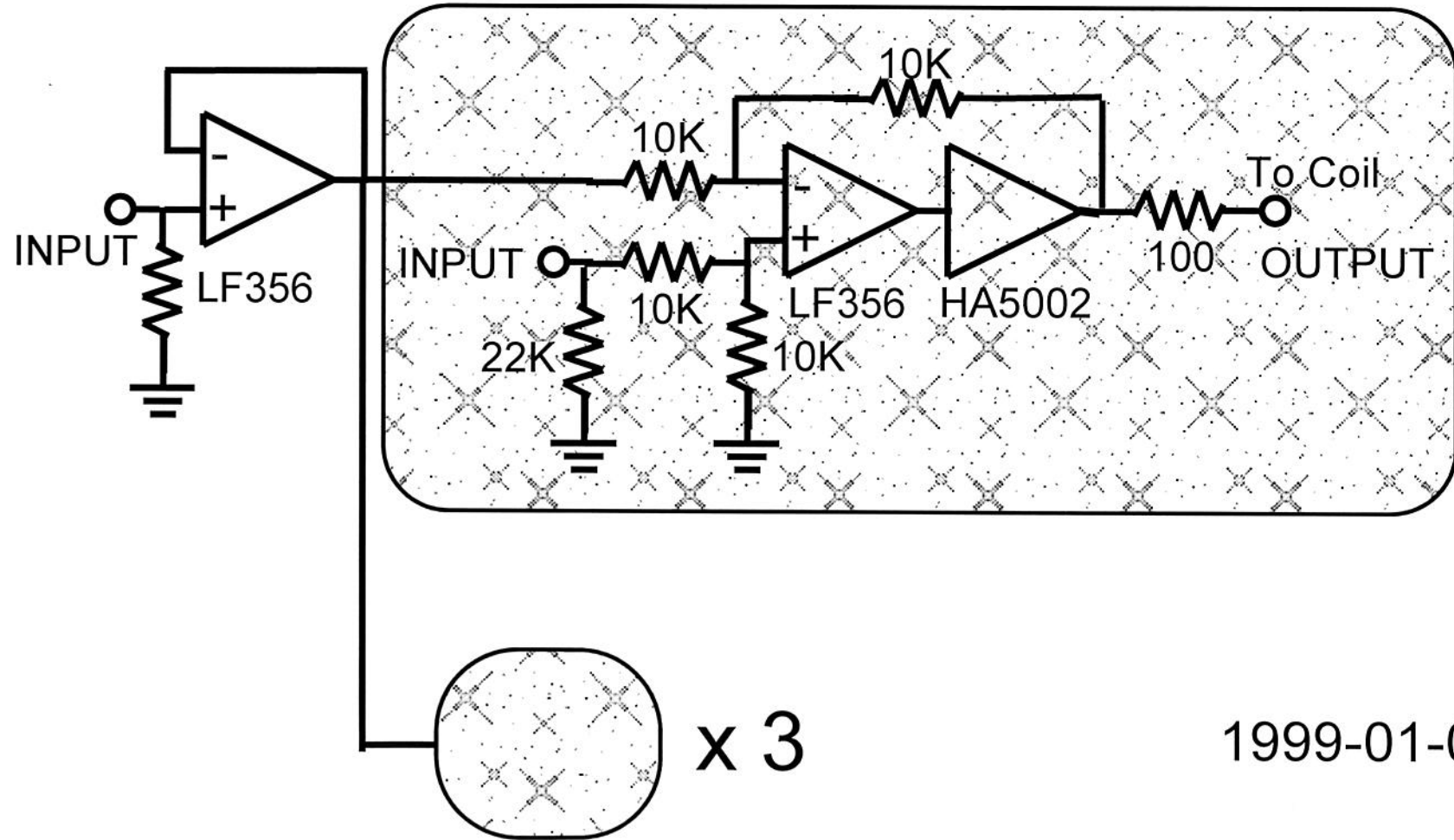


Manufactured by Terada

1999-01-13
~~1998-12-21~~

Shigeo Nagano

Magnet Coil Driver for Mode-Cleaner

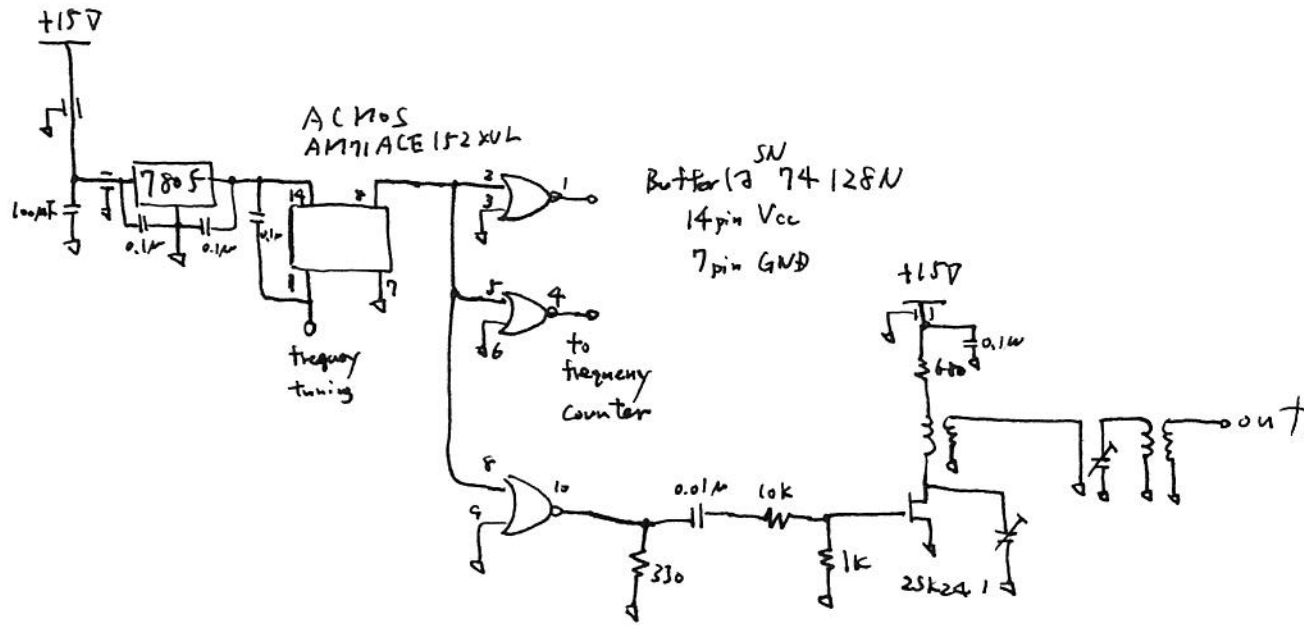


1999-01-06

manufactured by Terada

Shigeo Nagano

15.235 MHz VCO 回路

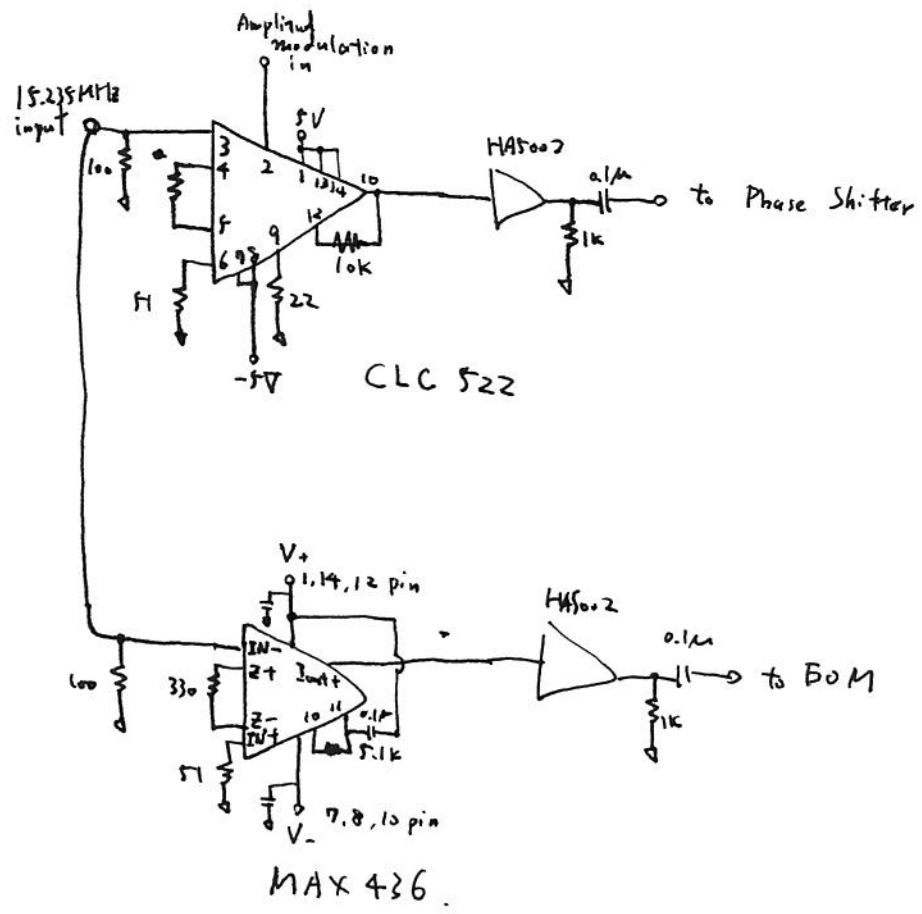


manufactured by Terada

1999-04-20

Shigeo Nagano

15.235 MHz Pre Amplifier

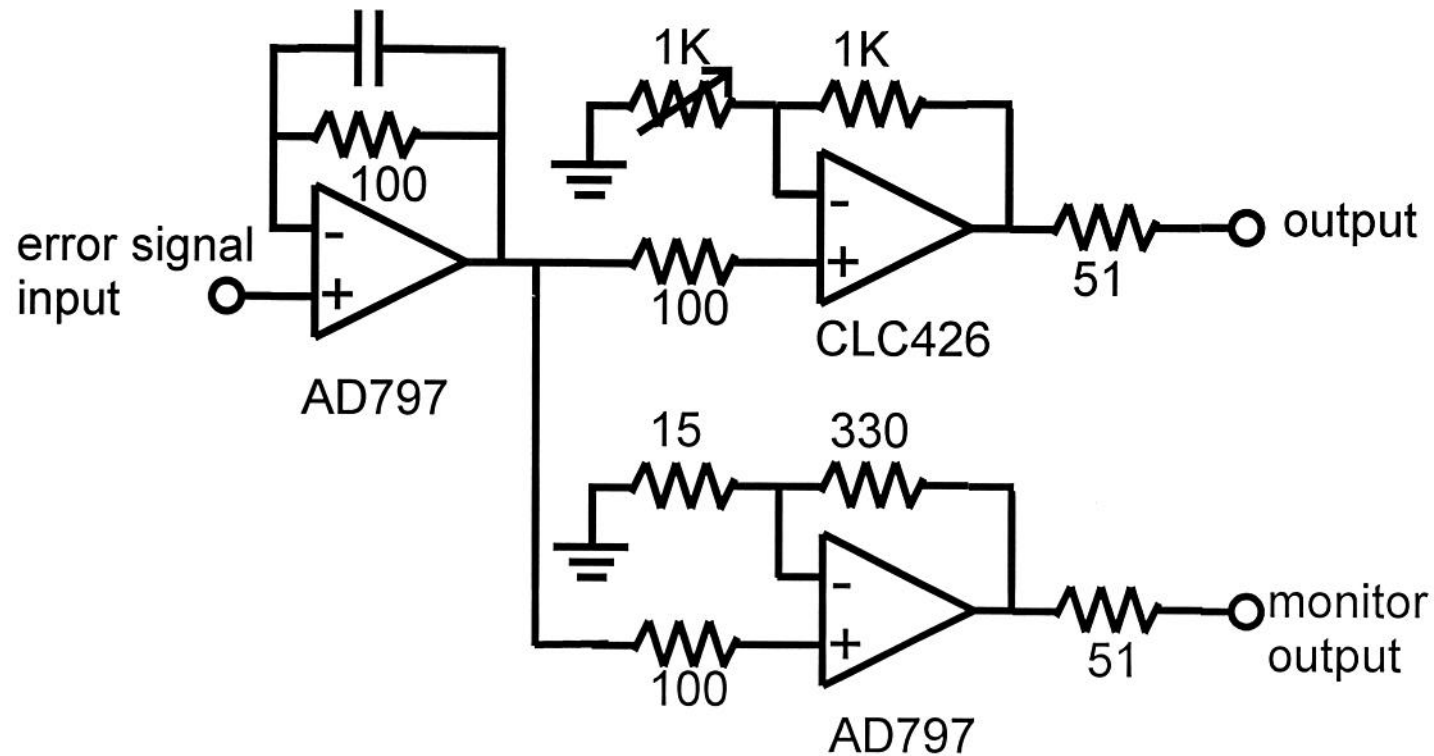


manufactured by Terada

1999-04-20

Shigeo Nagano

Pre Amplifier (Total Gain Filter)

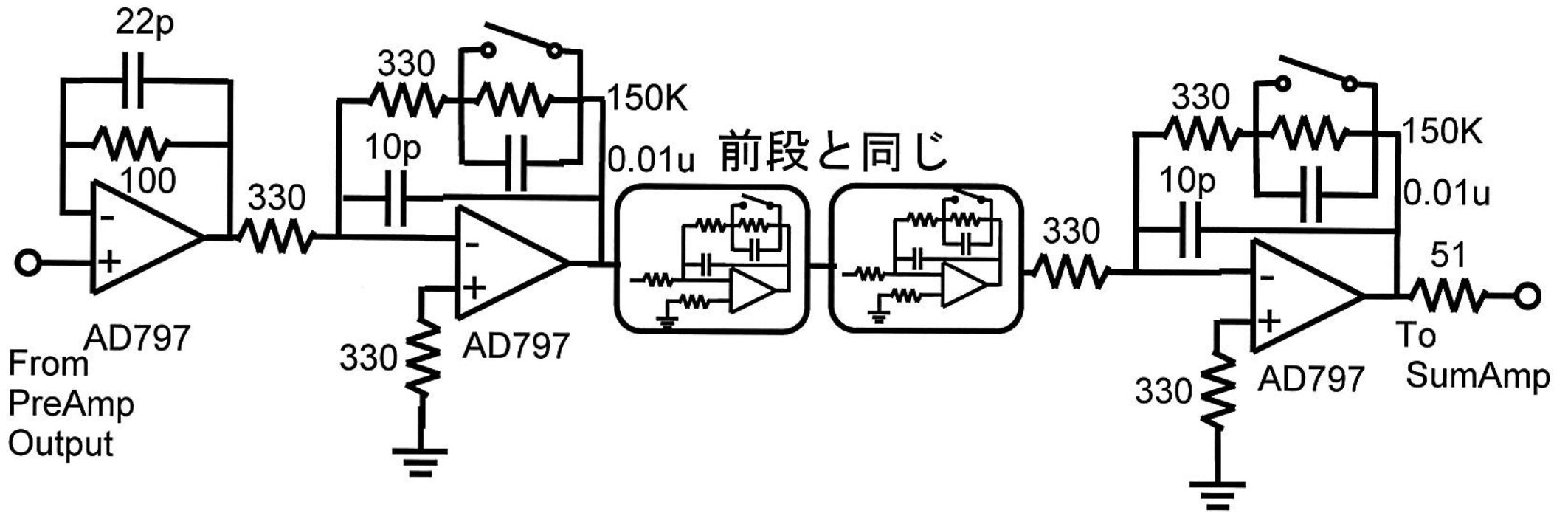


1998-12-21

Power Supply +/-5V

Shigeo Nagano

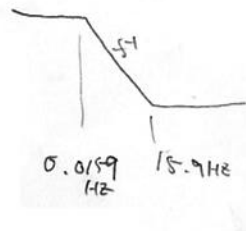
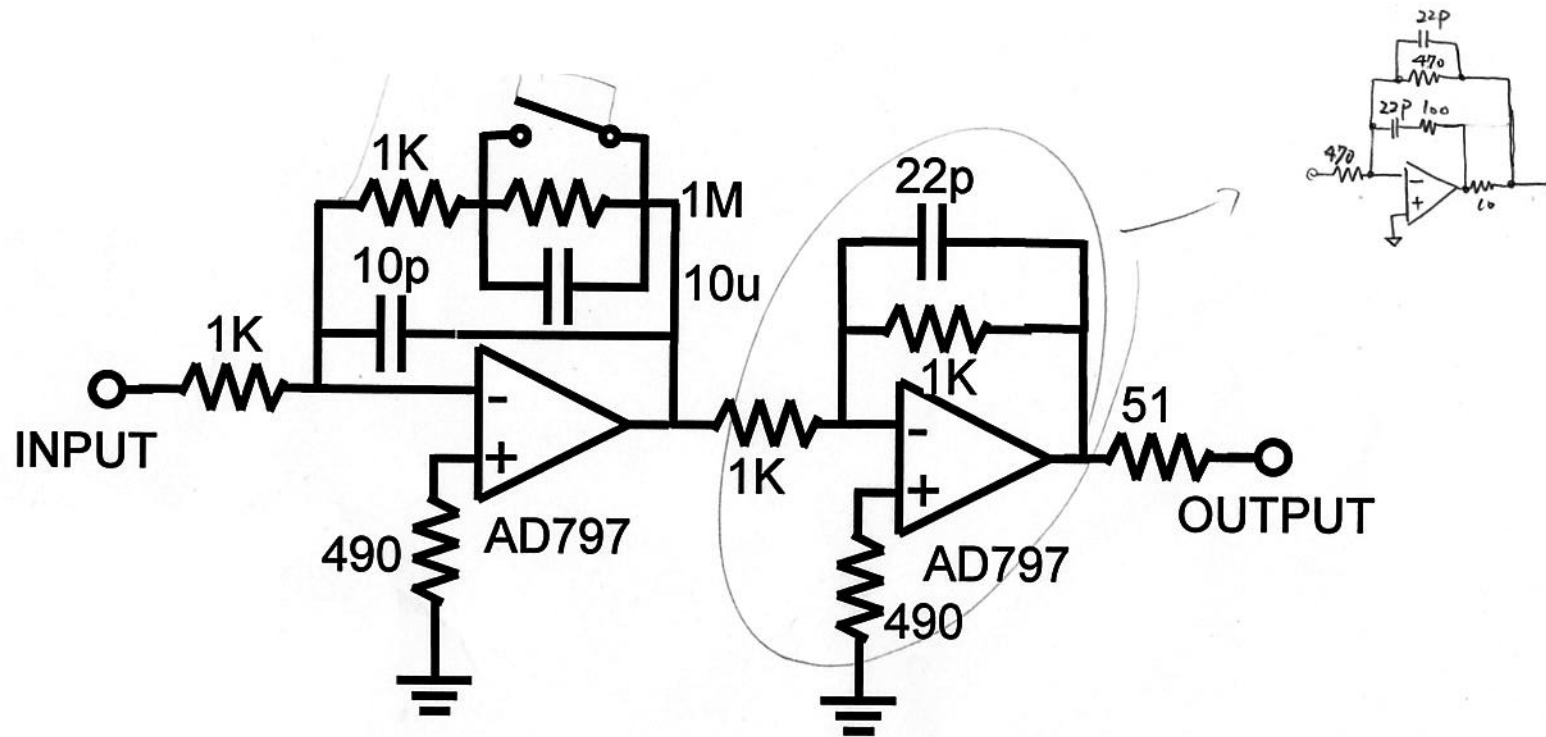
Gain Up Filter



1998-12-15

Shigeo Nagano

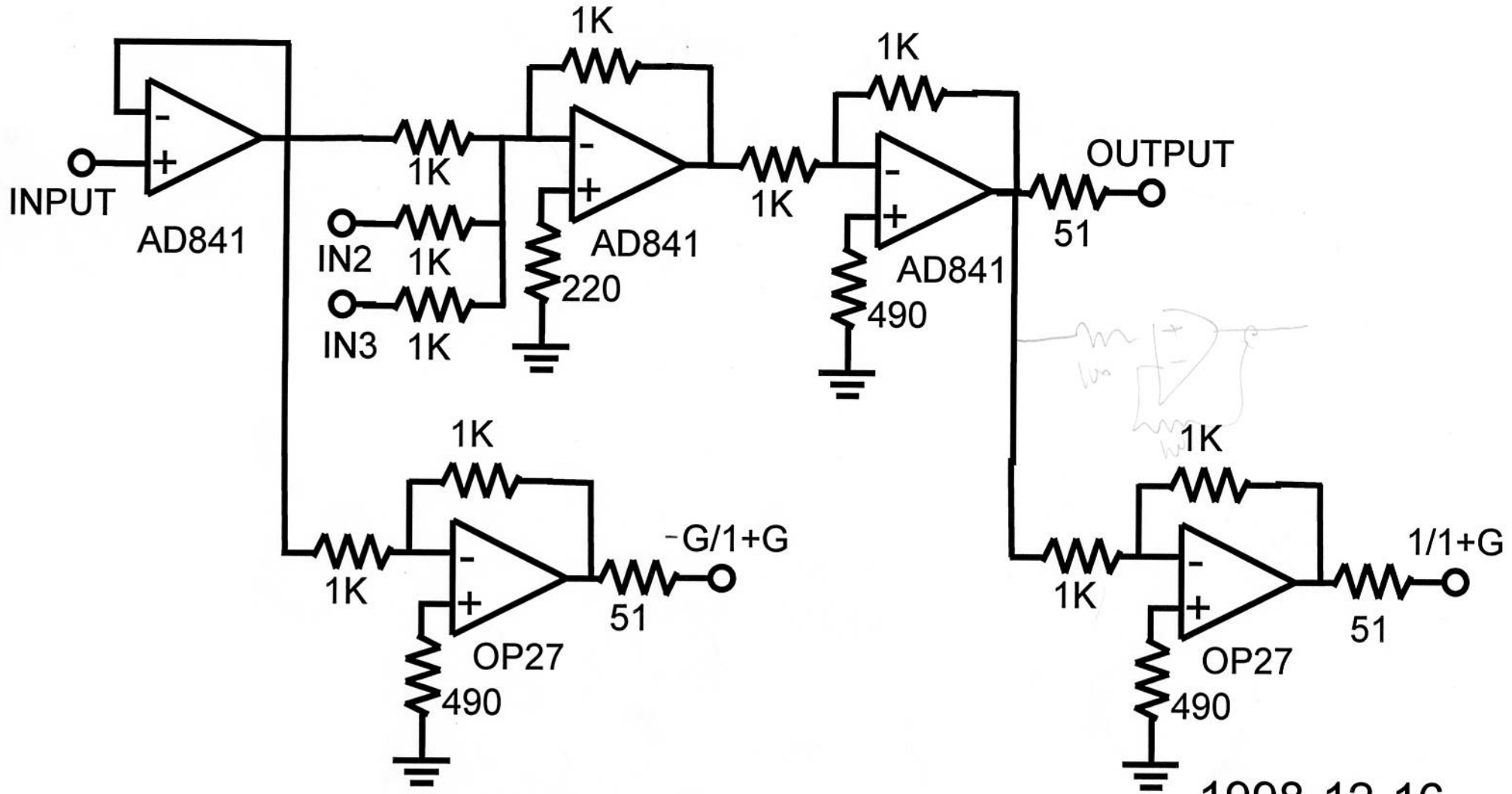
Integrate Filter



1998-12-16

Shigeo Nagano

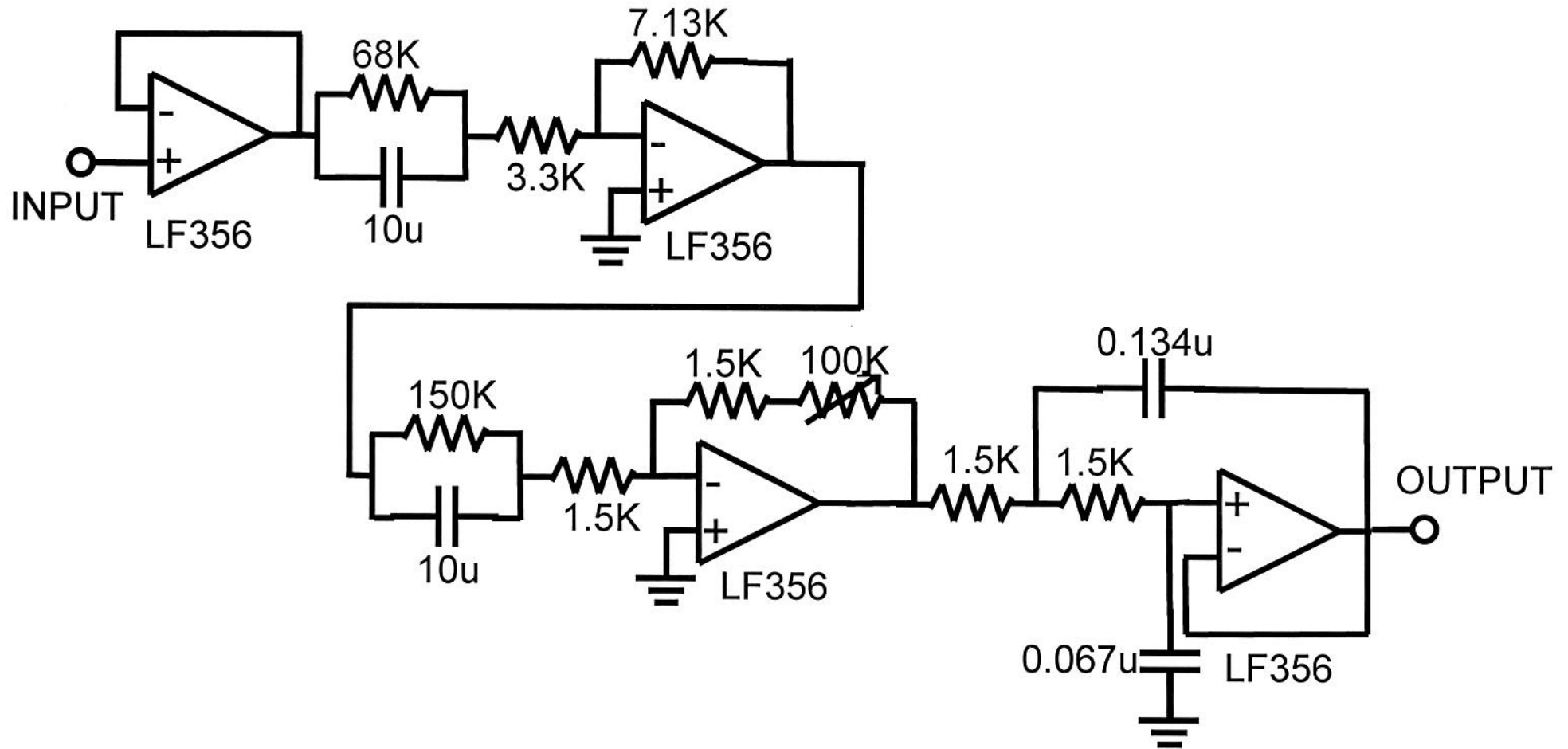
SUM Amplifier



1998-12-16

Shigeo Nagano

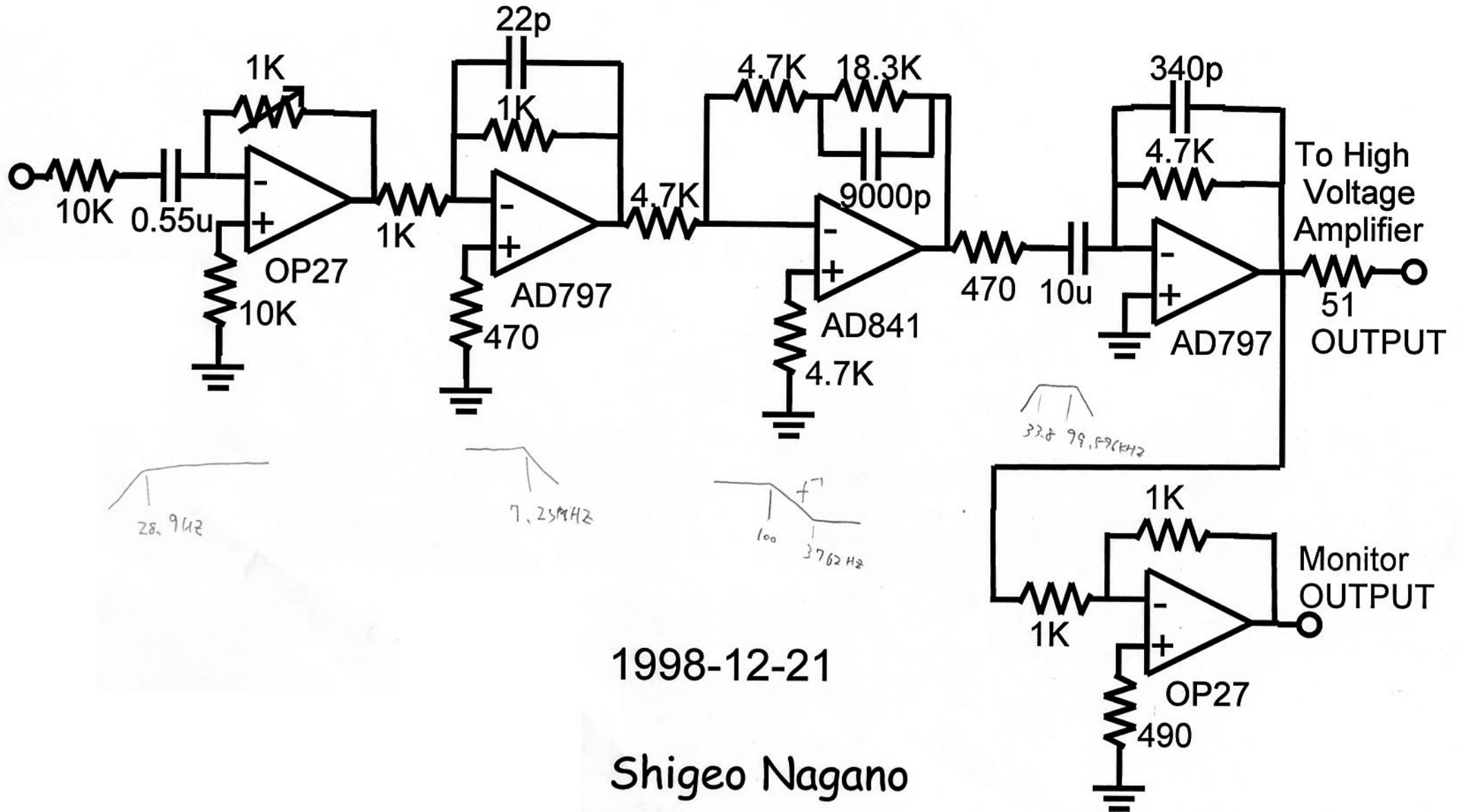
Thermal Loop Filter



1998-12-21

Shigeo Nagano

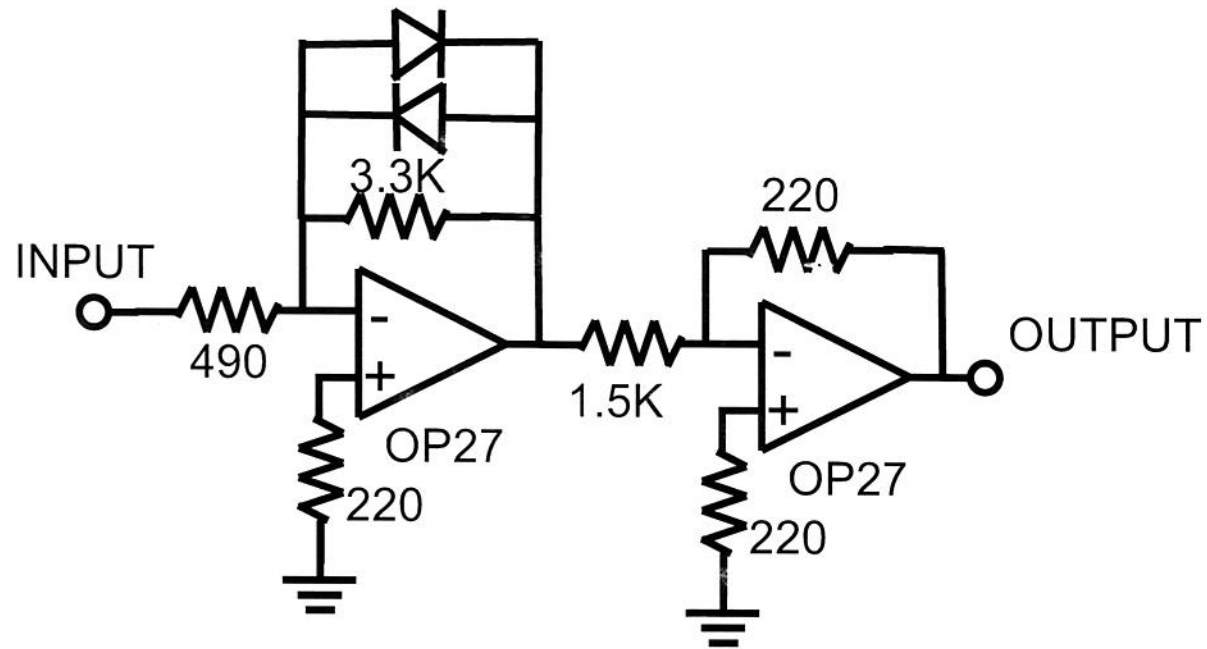
EOM Loop Filter



1998-12-21

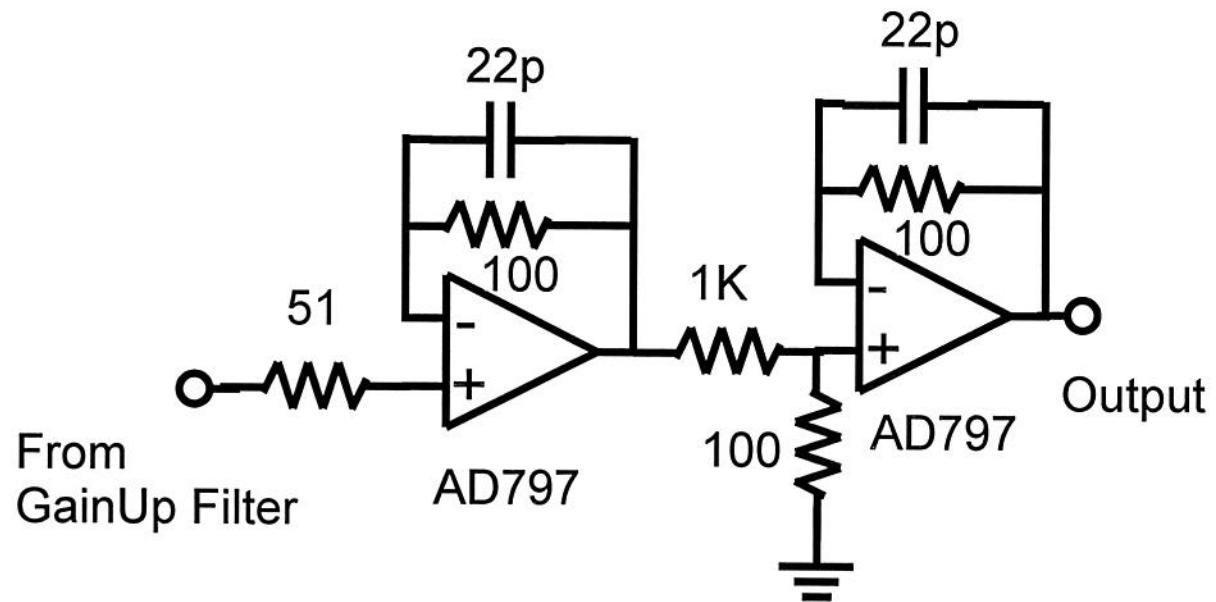
Shigeo Nagano

Limiter for Feedaround Filter



1999-04-20
Shigeo Nagano

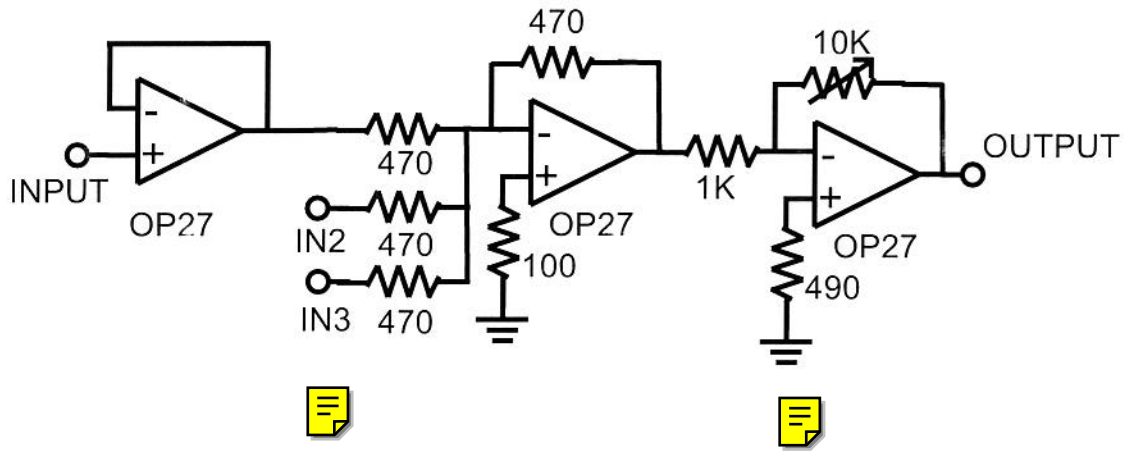
1/10 Atenuator



1998-12-14

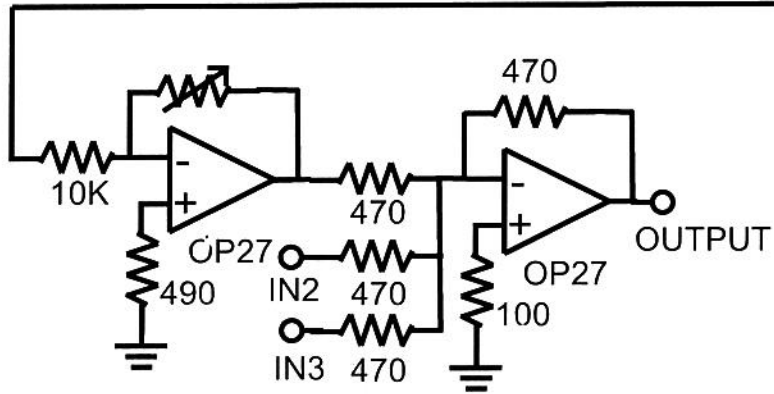
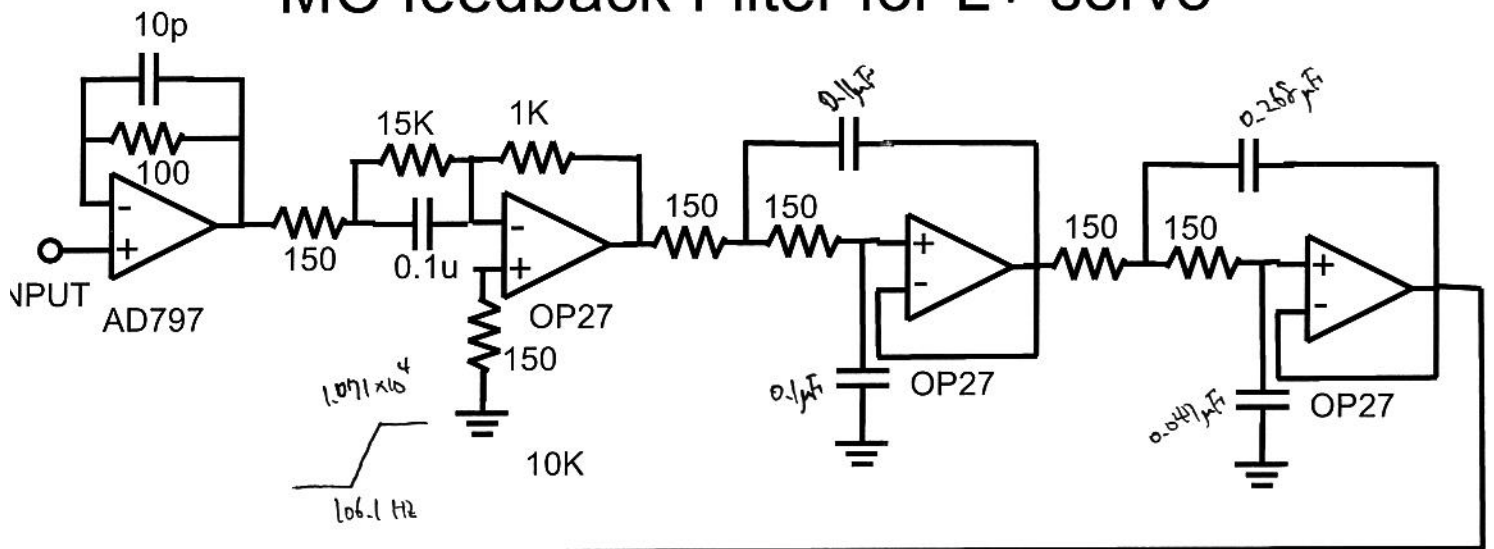
Shigeo Nagano

Total Gain Filter for L+ servo



1999-04-20
Shigeo Nagano

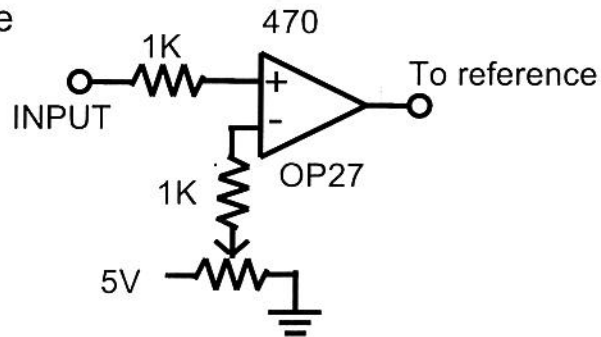
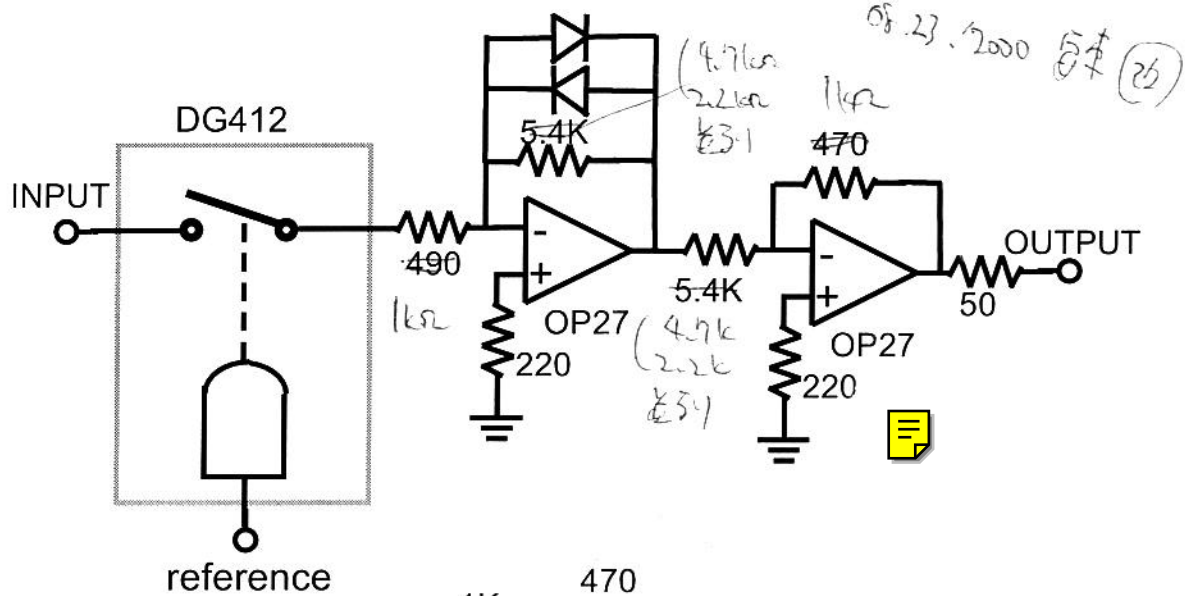
MC feedback Filter for L+ servo



1999-04-20

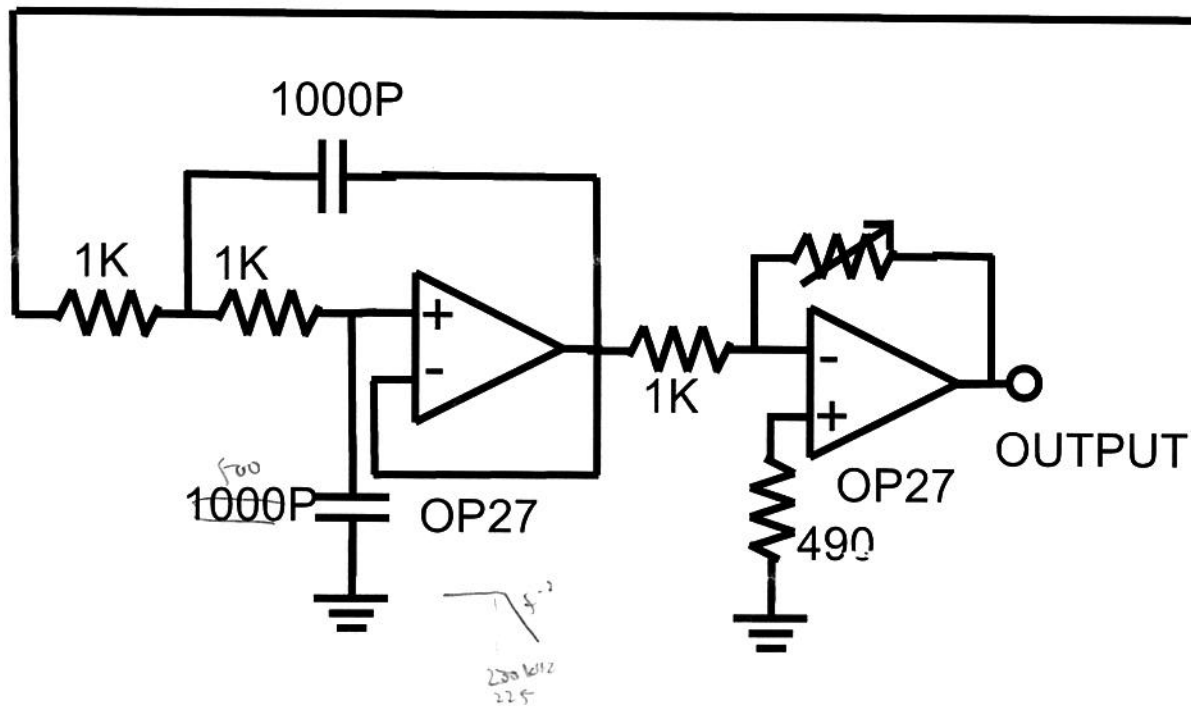
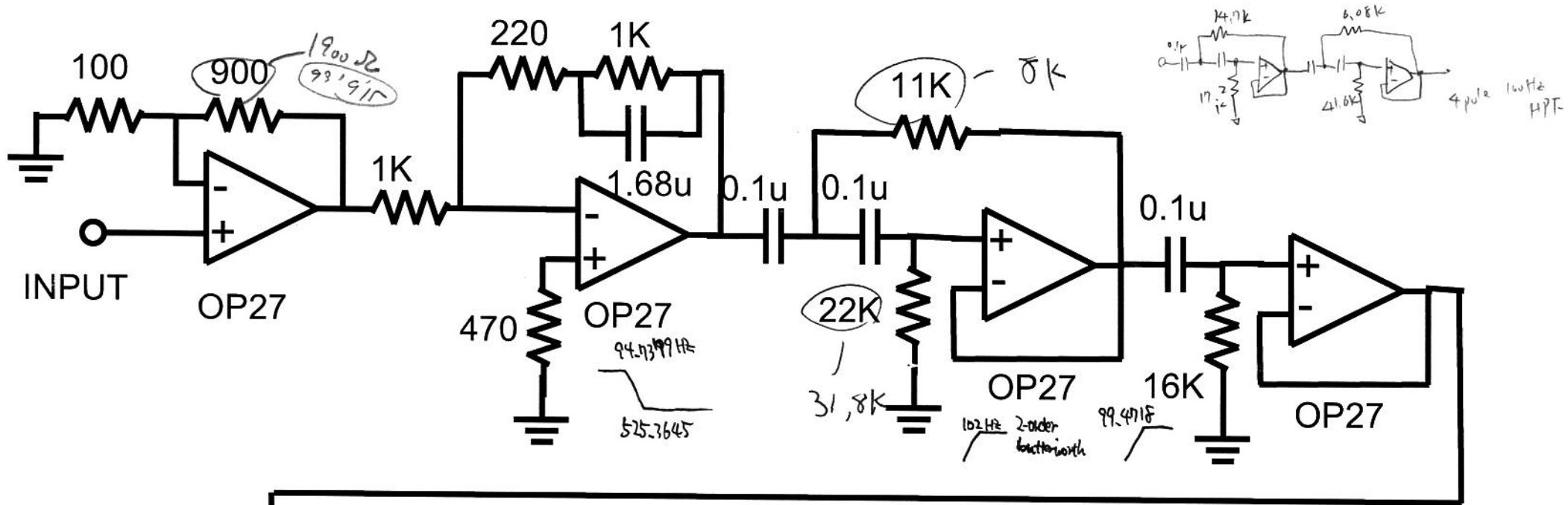
Shigeo Nagano

Limiter & Switch for MC feedback Filter



1999-04-20
Shigeo Nagano

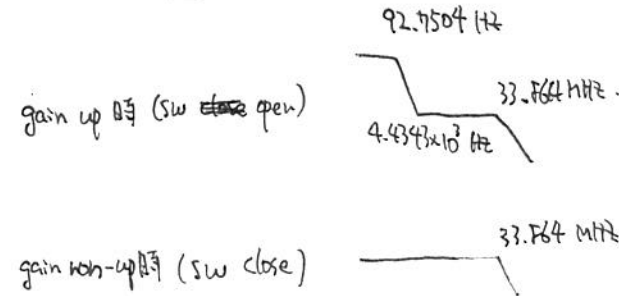
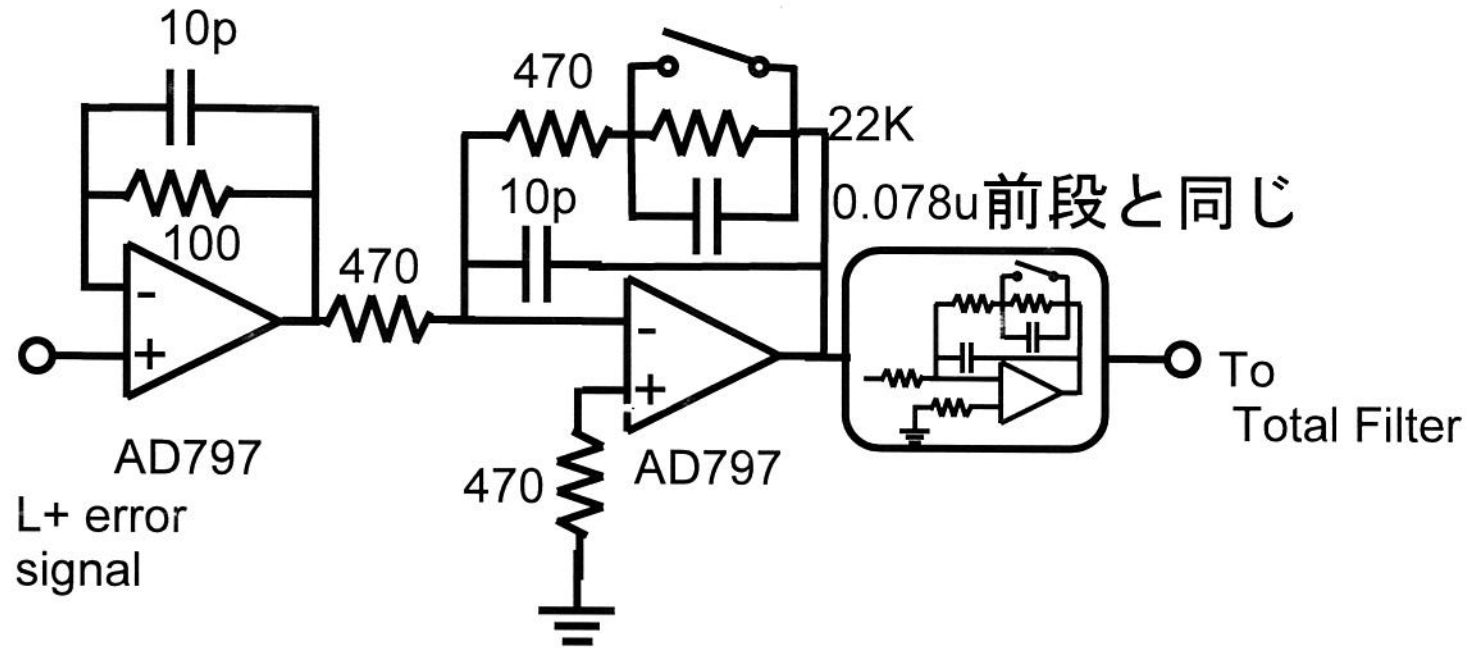
Feedaround Filter for L+ servo



1999-04-20

Shigeo Nagano

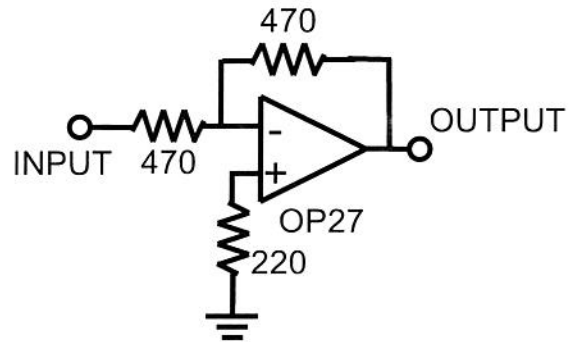
Gain Up Filter for L+ servo



1999-04-20

Shigeo Nagano

Inversion Amplifier



1999-04-20
Shigeo Nagano