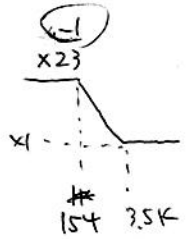
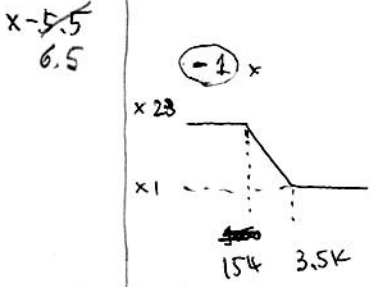
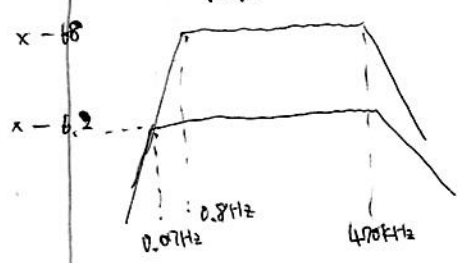
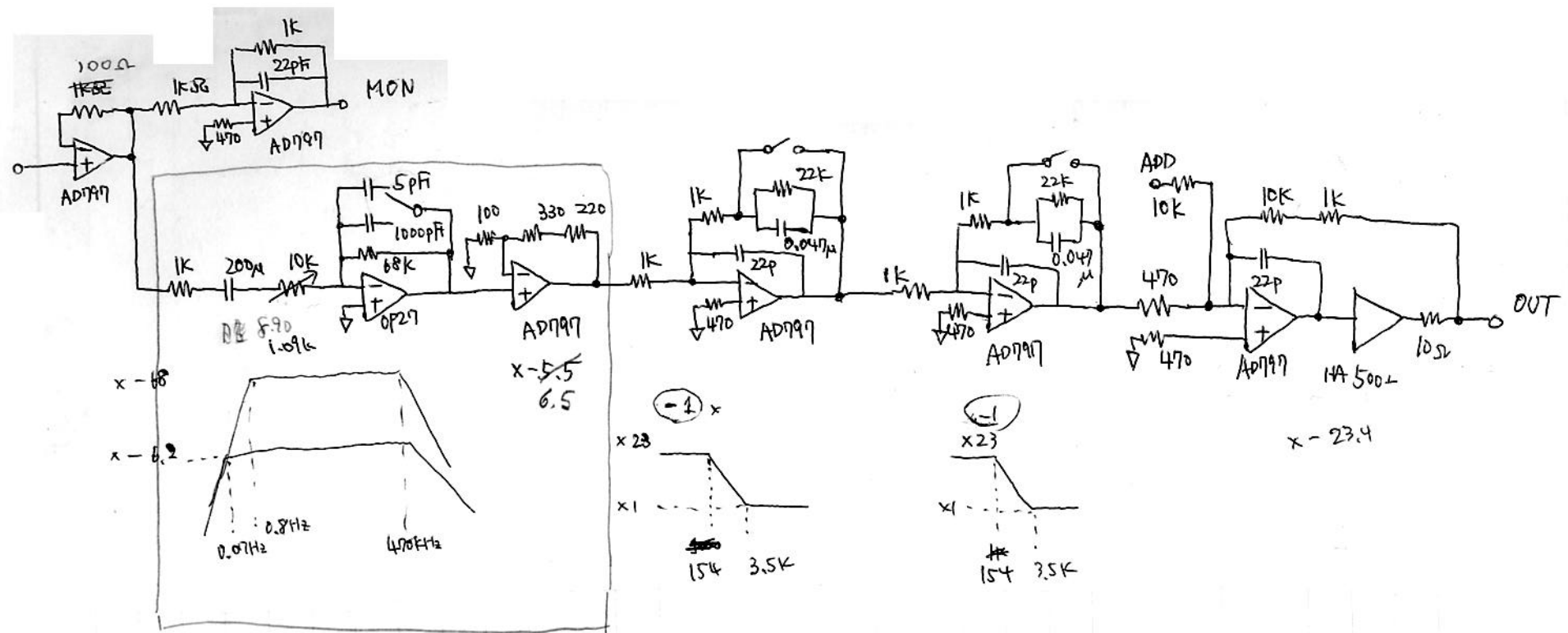
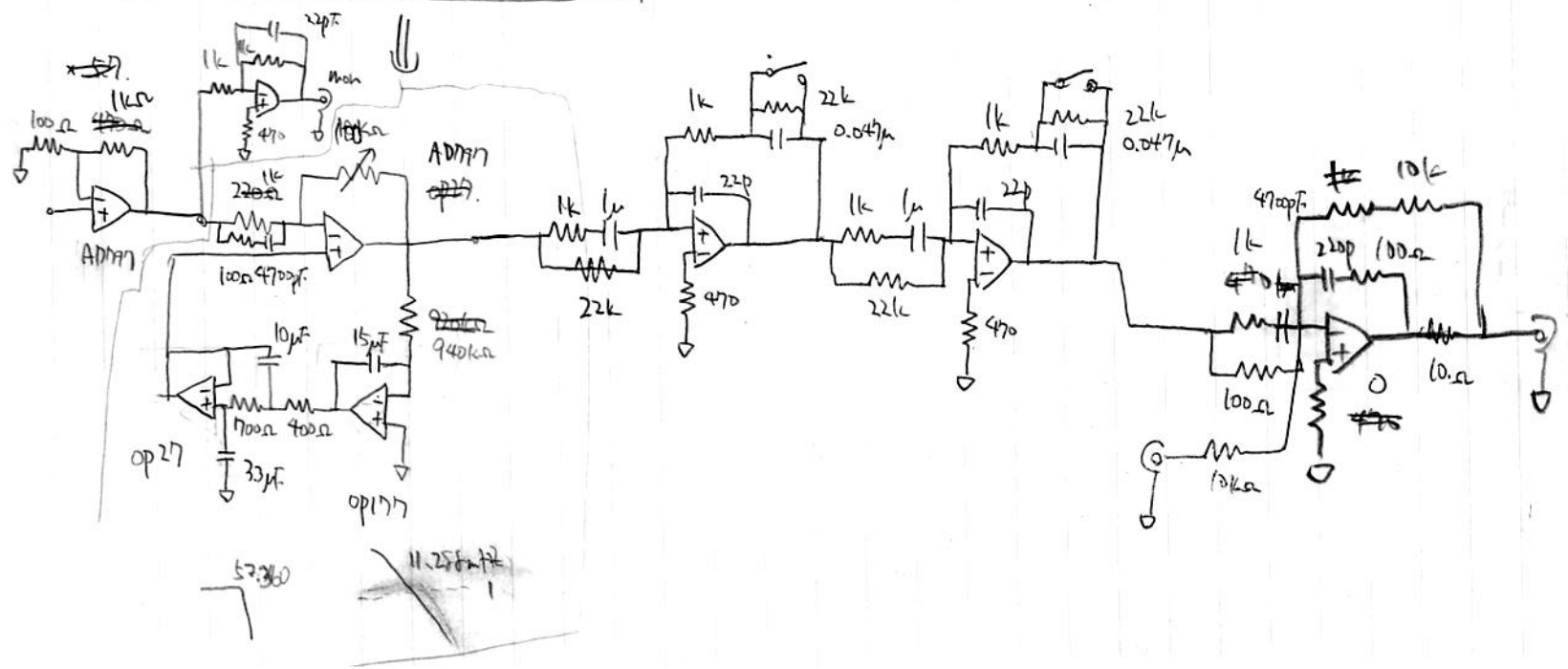


④ Inverting, Stab. filter



x - 23.4



52.360

11.258 kHz