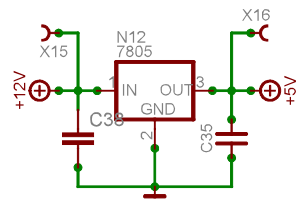
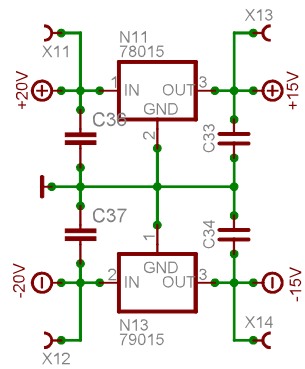


Created:		Universität Hannover	
Date	Name	Description:	
sgn	06/02/03		
Changed:		Laser Intensity Stabilization Servo	
Date	Name		
sgn	08/02/03		
File:	LIS_servo_03-02-08	Created:	2003/02/08 17:28:30
Sheet:	1/2	Printed:	2003/03/18 22:35:44



Created:		Universität Hannover	
Date	Name	Description:	
sgn	06/02/03		
Changed:			
Date	Name		
File:	LIS_servo_03-02-08	Created:	2003/02/08 17:28:30
Sheet:	2/2	Printed:	2003/03/18 22:35:44

