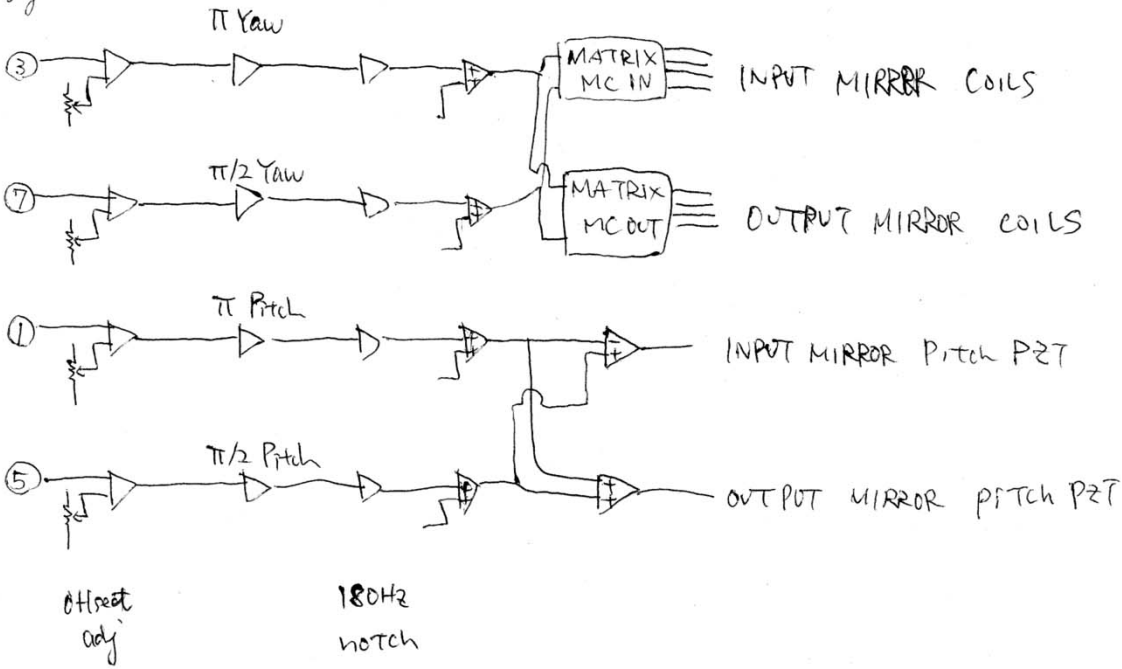
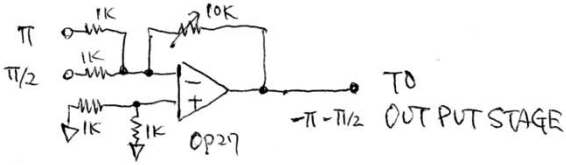


# MC alignment

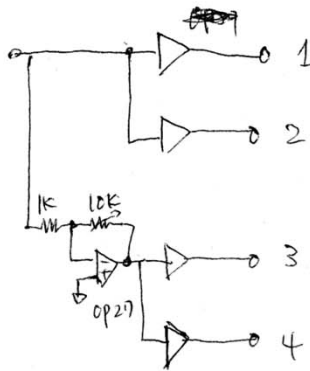
error sig



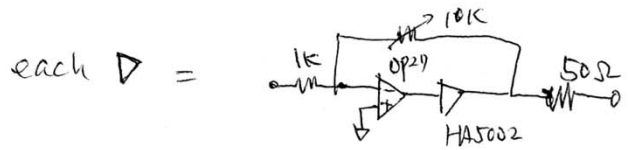
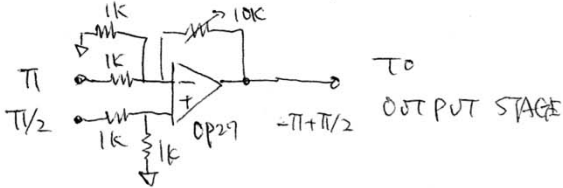
## MATRIX MC IN



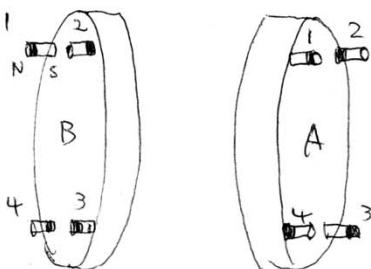
## OUTPUT STAGE



## MATRIX MC OUT



## Magnet config



OUTPUT MIRROR

INPUT MIRROR

	A <sub>1</sub>	A <sub>2</sub>	A <sub>3</sub>	A <sub>4</sub>	B <sub>1</sub>	B <sub>2</sub>	B <sub>3</sub>	B <sub>4</sub>
Yaw π	-	-	+	+	-	-	+	+
Yaw π/2	-	-	+	+	+	+	-	-